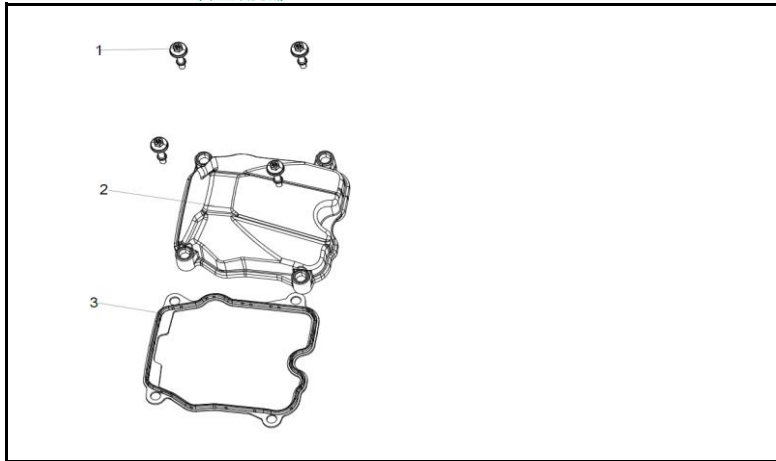


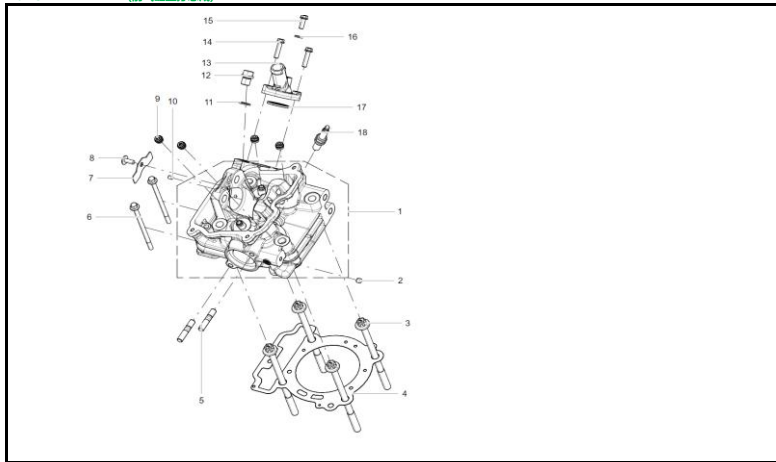
C2677000000 C26770010000 C26770040000 C26770050000)

E01 CYLINDER COVER ASSEMBLY(气缸盖罩分总成)



序号	位置	零件编码	英文名称及规格	数量	数量/包装	价格	通用状态				技术要求	开始年份	截止年份	整车颜色	证书	特殊代码	建议零件数量	易损件率
NO.	POSITION NO.	CODE	EN DESCRIPTION	Qty/Unit	Qty/Pack age	price	Serial No				NOTES	start year	end year	color code	certificate	special code	Suggested Parts Qty	Easily damaged Parts Ratio
1	E01	109116770000	SCREW BOLT ASSEMBLY	8			C26770000000	C26770010000	C26770040000	C26770050000		2024						
2	E01	109016770010	CYLINDER HEAD COVER	2			C26770000000	C26770010000	C26770040000	C26770050000		2024						
3	E01	109026770000	CYLINDER HEAD COVER GASKET	2			C26770000000	C26770010000	C26770040000	C26770050000		2024						

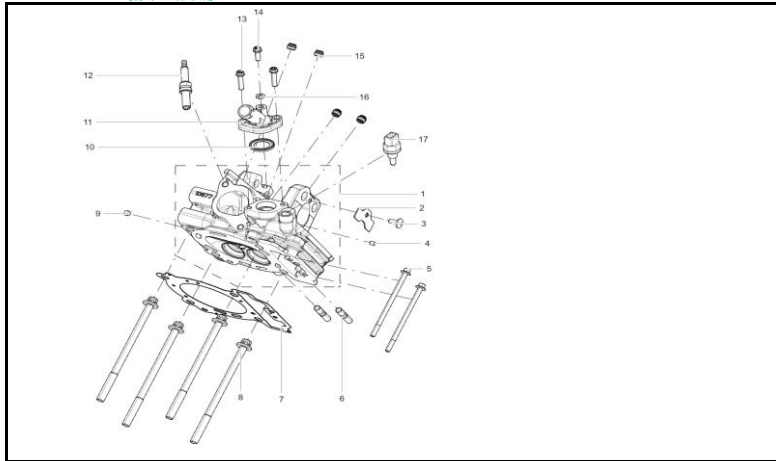
E02 CYLINDER HEAD(前气缸盖分总成)



序号	位置	零件编码	英文名称及规格	数量	数量/包装	价格	通用状态				技术要求	开始年份	截止年份	整车颜色	证书	特殊代码	建议零件数量	易损件率
----	----	------	---------	----	-------	----	------	--	--	--	------	------	------	------	----	------	--------	------

NO.	POSITION NO.	CODE	EN DESCRIPTION	Qty/Unit	Qty/Pack age	price	Serial No				NOTES	start year	end year	color code	certificate	special code	Suggested Parts Qty	Easily damaged Parts Ratio
1	E02	109056770000	MACHINED ASSEMBLY FOR CYLINDER HEAD	1			C26770000000	C26770010000	C26770040000	C26770050000		2024						
2	E02	169205150000	PLUG	1			C26770000000	C26770010000	C26770040000	C26770050000		2024						
3	E02	109176770000	CYLINDER HEAD BOLT M10×159	4			C26770000000	C26770010000	C26770040000	C26770050000		2024						
4	E02	109076770000	CYLINDER HEAD GASKET	1			C26770000000	C26770010000	C26770040000	C26770050000		2024						
5	E02	10004609001X	SHORT DOUBLE STUD	2			C26770000000	C26770010000	C26770040000	C26770050000		2024						
6	E02	B0107061056H	BOLTS M6×105	2			C26770000000	C26770010000	C26770040000	C26770050000		2024						
7	E02	109206770000	Clamping plate	1			C26770000000	C26770010000	C26770040000	C26770050000		2024						
8	E02	B0283060146K	BOLTS M6×14	1			C26770000000	C26770010000	C26770040000	C26770050000		2024						
9	E02	109216770000	VALVE OIL SEAL	4			C26770000000	C26770010000	C26770040000	C26770050000		2024						
10	E02	120013140000	PLUG	1			C26770000000	C26770010000	C26770040000	C26770050000		2024						
11	E02	260126090000	GASKET12.5x18x1.5	1			C26770000000	C26770010000	C26770040000	C26770050000		2024						
12	E02	109346770000	BOLTS M12×1.5	1			C26770000000	C26770010000	C26770040000	C26770050000		2024						
13	E02	10925677056X	THERMOSTAT COVER	1			C26770000000	C26770010000	C26770040000	C26770050000		2024						
14	E02	160306030050	BOLTS M6×25	1			C26770000000	C26770010000	C26770040000	C26770050000		2024						
15	E02	160306030020	BOLTS M6×16	1			C26770000000	C26770010000	C26770040000	C26770050000		2024						
16	E02	160131170000	GASKET 6	1			C26770000000	C26770010000	C26770040000	C26770050000		2024						
17	E02	109266770000	GASKET	1			C26770000000	C26770010000	C26770040000	C26770050000		2024						
18	E02	299076330000	SPARK PLUG	1			C26770000000	C26770010000	C26770040000	C26770050000		2024						

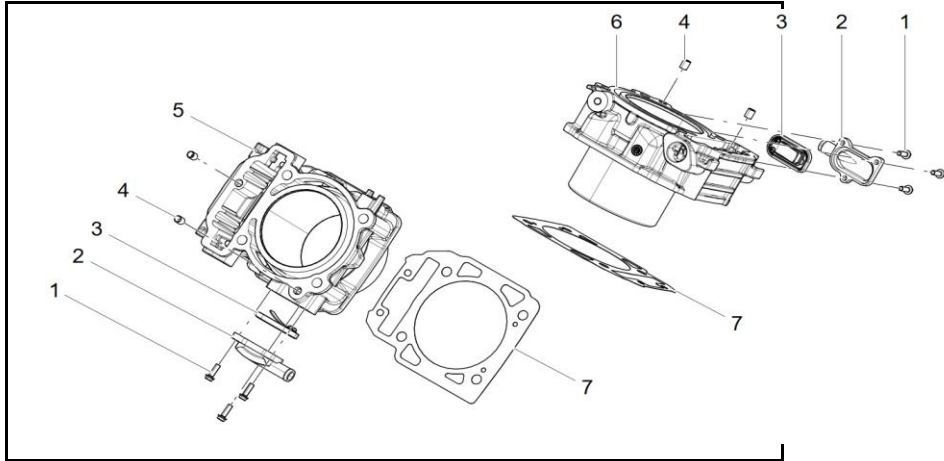
E03 CYLINDER HEAD(后气缸盖总成)



序号	位置	零件编码	英文名称及规格	数量	数量/包装	价格	通用状态				技术要求	开始年份	截止年份	整车颜色	证书	特殊代码	建议零件数量	易损件率
NO.	POSITION NO.	CODE	EN DESCRIPTION	Qty/Unit	Qty/Pack age	price	Serial No				NOTES	start year	end year	color code	certificate	special code	Suggested Parts Qty	Easily damaged Parts Ratio
1	E03	109056770000	MACHINED ASSEMBLY FOR CYLINDER HEAD	1			C26770000000	C26770010000	C26770040000	C26770050000		2024						
2	E03	109206770000	Clamping plate	1			C26770000000	C26770010000	C26770040000	C26770050000		2024						
3	E03	B0283060146K	BOLTS M6×14	1			C26770000000	C26770010000	C26770040000	C26770050000		2024						
4	E03	120013140000	PLUG	1			C26770000000	C26770010000	C26770040000	C26770050000		2024						
5	E03	B0107061056H	BOLTS M6×105	2			C26770000000	C26770010000	C26770040000	C26770050000		2024						
6	E03	10004609001X	SHORT DOUBLE STUD	2			C26770000000	C26770010000	C26770040000	C26770050000		2024						
7	E03	109076770000	CYLINDER HEAD GASKET	1			C26770000000	C26770010000	C26770040000	C26770050000		2024						
8	E03	109176770000	CYLINDER HEAD BOLT M10×159	4			C26770000000	C26770010000	C26770040000	C26770050000		2024						
9	E03	169205150000	PLUG	1			C26770000000	C26770010000	C26770040000	C26770050000		2024						
10	E03	109266770000	GASKET	1			C26770000000	C26770010000	C26770040000	C26770050000		2024						
11	E03	10925677056X	THERMOSTAT COVER	1			C26770000000	C26770010000	C26770040000	C26770050000		2024						
12	E03	299076330000	SPARK PLUG	1			C26770000000	C26770010000	C26770040000	C26770050000		2024						
13	E03	160306030050	BOLTS M6×25	1			C26770000000	C26770010000	C26770040000	C26770050000		2024						
14	E03	160306030020	BOLTS M6×16	1			C26770000000	C26770010000	C26770040000	C26770050000		2024						
15	E03	109216770000	VALVE OIL SEAL	4			C26770000000	C26770010000	C26770040000	C26770050000		2024						

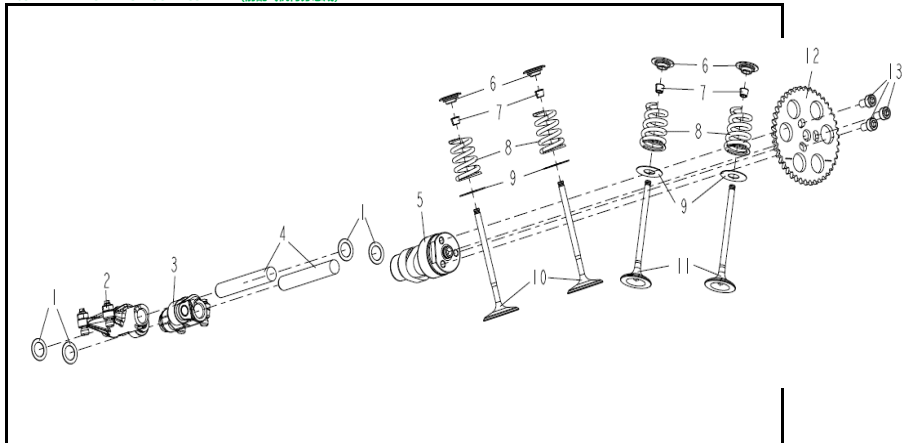
16	E03	160131170000	GASKET 6	1			C26770000000	C26770010000	C26770040000	C26770050000								2024					
17	E03	280596090000	WATER TEMPERATURE SENSOR	1			C26770000000	C26770010000	C26770040000	C26770050000								2024					

E04 CYLINDER ASSY(气缸体分总成)



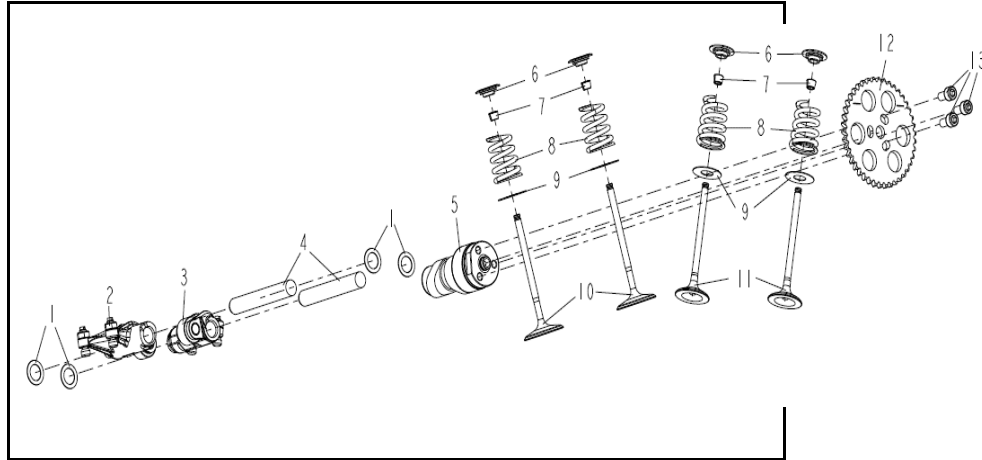
序号	位置	零件编码	英文名称及规格	数量	数量/包装	价格	通用状态				技术要求	开始年份	截止年份	整车颜色	证书	特殊代码	建议零件数量	易损件率	
NO.	POSITION NO.	CODE	EN DESCRIPTION	Qty/Unit	Qty/Pack age	price	Serial No				NOTES	start year	end year	color code	certificate	special code	Suggested Parts Qty	Easily damaged Parts Ratio	
1	E04	150316030180	BOLT MSX16	6			C26770000000	C26770010000	C26770040000	C26770050000		2024							
2	E04	110103070000	VENTILATION CHAMBER COVER	2			C26770000000	C26770010000	C26770040000	C26770050000		2024							
3	E04	119043070020	REED VALVES	2			C26770000000	C26770010000	C26770040000	C26770050000		2024							
4	E04	150016080000	PIN Ø8X10	4			C26770000000	C26770010000	C26770040000	C26770050000		2024							
5	E04	139016770020	FRONT CYLINDER BLOCK ASSEMBLY	1			C26770000000	C26770010000	C26770040000	C26770050000		2024							
6	E04	139016770030	REAR CYLINDER BLOCK ASSEMBLY	1			C26770000000	C26770010000	C26770040000	C26770050000		2024							
7	E04	139026770000	CYLINDER BLOCK GASKETS	2			C26770000000	C26770010000	C26770040000	C26770050000		2024							

E05 VALVE MECHANISM SUB-ASSEMBLY(前配气机构分总成)



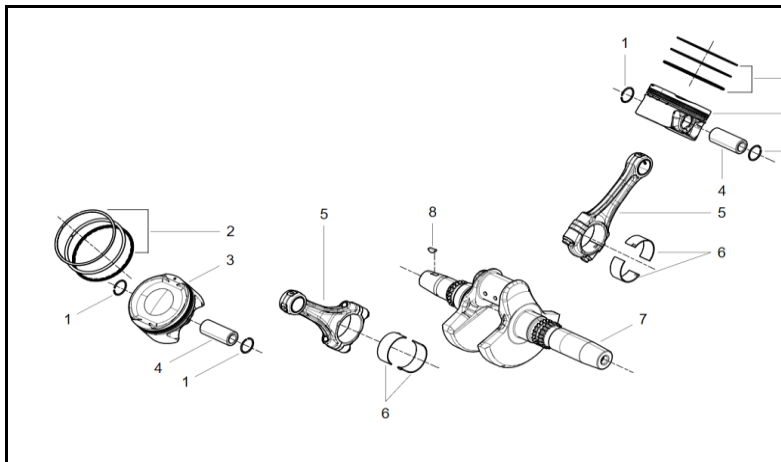
序号	位置	零件编码	英文名称及规格	数量	数量/包装	价格	通用状态				技术要求	开始年份	截止年份	整车颜色	证书	特殊代码	建议零件数量	易损件率
NO.	POSITION NO.	CODE	EN DESCRIPTION	Qty/Unit	Qty/Pack age	price	Serial No				NOTES	start year	end year	color code	certificate	special code	Suggested Parts Qty	Easily damaged Parts Ratio
1	E05	120016250000	WASHER	4			C26770000000	C26770010000	C26770040000	C26770050000		2024						
2	E05	129346770000	ARM INLET VALVE ROCKER ASSY	1			C26770000000	C26770010000	C26770040000	C26770050000		2024						
3	E05	129356770000	ARM EXHAUST VALVEROCKER ASSY	1			C26770000000	C26770010000	C26770040000	C26770050000		2024						
4	E05	129166770000	SHAFT ROCRER ARM	2			C26770000000	C26770010000	C26770040000	C26770050000		2024						
5	E05	129076770000	FRONT CAMSHAFT	1			C26770000000	C26770010000	C26770040000	C26770050000		2024						
6	E05	129206770000	UPPER SEAT VALVE SPRING	4			C26770000000	C26770010000	C26770040000	C26770050000		2024						
7	E05	129226770000	COTTER VALVE	8			C26770000000	C26770010000	C26770040000	C26770050000		2024						
8	E05	129256770000	VALVE SPRING	4			C26770000000	C26770010000	C26770040000	C26770050000		2024						
9	E05	129216770000	SEAT VALVE SPRING	4			C26770000000	C26770010000	C26770040000	C26770050000		2024						
10	E05	129186770000	INTARE VALVE	2			C26770000000	C26770010000	C26770040000	C26770050000		2024						
11	E05	129196770000	EXHAUST VALVE	2			C26770000000	C26770010000	C26770040000	C26770050000		2024						
12	E05	129036770000	CAMSHAFT, DRIVEN SPROCKET	1			C26770000000	C26770010000	C26770040000	C26770050000		2024						
13	E05	B0205060128H	SCREW M6×12	3			C26770000000	C26770010000	C26770040000	C26770050000		2024						

E06 VALVE MECHANISM SUB-ASSEMBLY(后配气机构分总成)



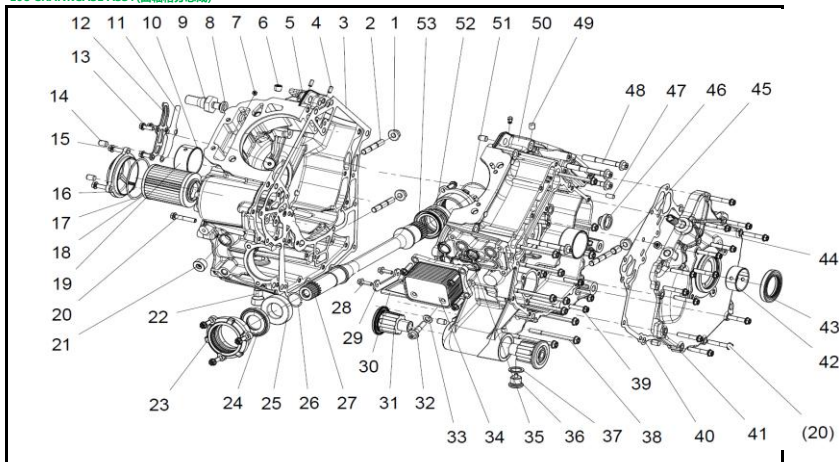
序号	位置	零件编码	英文名称及规格	数量	数量/包装	价格	通用状态				技术要求	开始年份	截止年份	整车颜色	证书	特殊代码	建议零件数量	易损件率
NO.	POSITION NO.	CODE	EN DESCRIPTION	Qty/Unit	Qty/Pack age	price	Serial No				NOTES	start year	end year	color code	certificate	special code	Suggested Parts Qty	Easily damaged Parts Ratio
1	E06	120016250000	WASHER	4			C26770000000	C26770010000	C26770040000	C26770050000		2024						
2	E06	129346770000	ARM INLET VALVE ROCKER ASSY	1			C26770000000	C26770010000	C26770040000	C26770050000		2024						
3	E06	129356770000	ARM EXHAUST VALVEROCKER ASSY	1			C26770000000	C26770010000	C26770040000	C26770050000		2024						
4	E06	129166770000	SHAFT ROCRER ARM	2			C26770000000	C26770010000	C26770040000	C26770050000		2024						
5	E06	129086770000	AFTER CAMSHAFT	1			C26770000000	C26770010000	C26770040000	C26770050000		2024						
6	E06	129206770000	UPPER SEAT VALVE SPRING	4			C26770000000	C26770010000	C26770040000	C26770050000		2024						
7	E06	129226770000	COTTER VALVE	8			C26770000000	C26770010000	C26770040000	C26770050000		2024						
8	E06	129256770000	VALVE SPRING	4			C26770000000	C26770010000	C26770040000	C26770050000		2024						
9	E06	129216770000	SEAT VALVE SPRING	4			C26770000000	C26770010000	C26770040000	C26770050000		2024						
10	E06	129186770000	INTARE VALVE	2			C26770000000	C26770010000	C26770040000	C26770050000		2024						
11	E06	129196770000	EXHAUST VALVE	2			C26770000000	C26770010000	C26770040000	C26770050000		2024						
12	E06	129036770000	CAMSHAFT, DRIVEN SPROCKET	1			C26770000000	C26770010000	C26770040000	C26770050000		2024						
13	E06	B0205060128H	SCREW M6×12	3			C26770000000	C26770010000	C26770040000	C26770050000		2024						

E07 PISTON,CONNECTING ROD & CRANKSHAFT ASSY(活塞连杆曲轴分总成)



序号	位置	零件编码	英文名称及规格	数量	数量/包装	价格	通用状态				技术要求	开始年份	截止年份	整车颜色	证书	特殊代码	建议零件数量	易损件率
NO.	POSITION NO.	CODE	EN DESCRIPTION	Qty/Unit	Qty/Pack age	price	Serial No				NOTES	start year	end year	color code	certificate	special code	Suggested Parts Qty	Easily damaged Parts Ratio
1	E07	179156110000	CIRCLIP PISTON PIN	4			C26770000000	C26770010000	C26770040000	C26770050000		2024						
2	E07	170086770000	PISTON RING ASMY	2			C26770000000	C26770010000	C26770040000	C26770050000		2024						
3	E07	179136770000	PISTON	2			C26770000000	C26770010000	C26770040000	C26770050000		2024						
4	E07	179146770000	PISTON PIN	2			C26770000000	C26770010000	C26770040000	C26770050000		2024						
5	E07	179036770000	CONNECTING ROD ASSEMBLY	2			C26770000000	C26770010000	C26770040000	C26770050000		2024						
6	E07	179076770010	CONNECTING ROD BEARINGS(red)	4			C26770000000	C26770010000	C26770040000	C26770050000		2024						
7	E07	179016770000	CRANKSHAFT	1			C26770000000	C26770010000	C26770040000	C26770050000		2024						
8	E07	170046250000	KEY	1			C26770000000	C26770010000	C26770040000	C26770050000		2024						

E08 CRANKCASE ASSY(曲轴箱分总成)

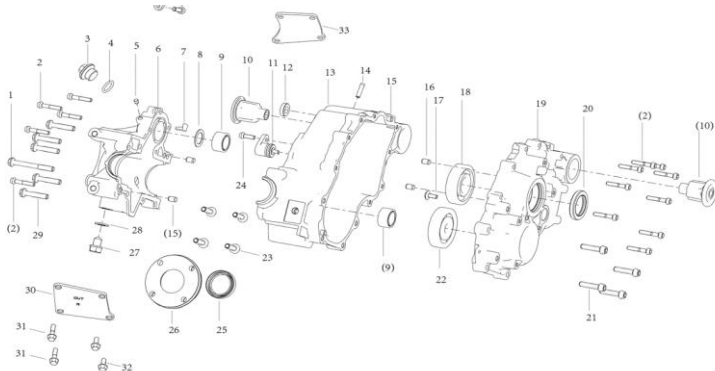


序号	位置	零件编码	英文名称及规格	数量	数量/包装	价格	通用状态				技术要求	开始年份	截止年份	整车颜色	证书	特殊代码	建议零件数量	易损件率
----	----	------	---------	----	-------	----	------	--	--	--	------	------	------	------	----	------	--------	------

NO.	POSITION NO.	CODE	EN DESCRIPTION	Qty/Unit	Qty/Pack age	price	Serial No					NOTES	start year	end year	color code	certificate	special code	Suggested Parts Qty	Easily damaged Parts Ratio
1	E08	B0407080007H	NUT M8	3			C2677000000	C26770010000	C26770040000	C26770050000			2024						
2	E08	159526770000	DOUBLE END STUDS M8x54	3			C2677000000	C26770010000	C26770040000	C26770050000			2024						
3	E08	159136770000	SEALING GASKET	1			C2677000000	C26770010000	C26770040000	C26770050000			2024						
4	E08	B090105010A0	PIN 5x10	4			C26770000000	C26770010000	C26770040000	C26770050000			2024						
5	E08	159036770000	RIGHT CRANK CASE	1			C26770000000	C26770010000	C26770040000	C26770050000			2024						
6	E08	150166090010	CONICAL PLUG	2			C26770000000	C26770010000	C26770040000	C26770050000			2024						
7	E08	159516770000	NOZZLE	2			C26770000000	C26770010000	C26770040000	C26770050000			2024						
8	E08	240056090000	GASKET 11x18x3	1			C26770000000	C26770010000	C26770040000	C26770050000			2024						
9	E08	240026090000	OIL PRESSURE SWITCH	1			C26770000000	C26770010000	C26770040000	C26770050000			2024						
10	E08	159096770000	CRANKSHAFT BEARING BUSH I (red)	2			C26770000000	C26770010000	C26770040000	C26770050000			2024						
10	E08	159096770010	CRANKSHAFT BEARING BUSH I (yellow)	2			C26770000000	C26770010000	C26770040000	C26770050000			2024						
10	E08	159096770020	CRANKSHAFT BEARING BUSH I (blue)	2			C26770000000	C26770010000	C26770040000	C26770050000			2024						
10	E08	159096770030	CRANKSHAFT BEARING BUSH I (black)	2			C26770000000	C26770010000	C26770040000	C26770050000			2024						
11	E08	159176770000	VALVE SPRING	1			C26770000000	C26770010000	C26770040000	C26770050000			2024						
12	E08	159166770000	VALVE PLATE	1			C26770000000	C26770010000	C26770040000	C26770050000			2024						
13	E08	160306030020	BOLT M6x16	9			C26770000000	C26770010000	C26770040000	C26770050000			2024						
14	E08	B091408012A0	PIN 8x12	6			C26770000000	C26770010000	C26770040000	C26770050000			2024						
15	E08	160306030030	BOLT M6x20	7			C26770000000	C26770010000	C26770040000	C26770050000			2024						
16	E08	15928677056X	OIL FILTER COVER	1			C26770000000	C26770010000	C26770040000	C26770050000			2024						
17	E08	159386770000	O-RING 61.5x2.4	1			C26770000000	C26770010000	C26770040000	C26770050000			2024						
18	E08	159376770000	OIL FILTER	1			C26770000000	C26770010000	C26770040000	C26770050000			2024						
19	E08	159106770000	CRANKSHAFT BEARING BUSH II (red)	2			C26770000000	C26770010000	C26770040000	C26770050000			2024						
19	E08	159106770010	CRANKSHAFT BEARING BUSH II (yellow)	2			C26770000000	C26770010000	C26770040000	C26770050000			2024						
19	E08	159106770020	CRANKSHAFT BEARING BUSH II (blue)	2			C26770000000	C26770010000	C26770040000	C26770050000			2024						
19	E08	159106770030	CRANKSHAFT BEARING BUSH II (black)	2			C26770000000	C26770010000	C26770040000	C26770050000			2024						
20	E08	160306030080	BOLT M6x35	16			C26770000000	C26770010000	C26770040000	C26770050000			2024						
21	E08	159196770000	CONICAL PLUG M18x1.5	2			C26770000000	C26770010000	C26770040000	C26770050000			2024						
22	E08	269085250000	CONICAL PLUG M12x1.5	1			C26770000000	C26770010000	C26770040000	C26770050000			2024						
23	E08	15931677056X	BEARING COVER	2			C26770000000	C26770010000	C26770040000	C26770050000			2024						
24	E08	159336770000	OIL SEAL 25x47x7	1			C26770000000	C26770010000	C26770040000	C26770050000			2024						
25	E08	B12016000501	BEARING	1			C26770000000	C26770010000	C26770040000	C26770050000			2024						
26	E08	B080600020A1	DETENT RING Φ20xΦ2	1			C26770000000	C26770010000	C26770040000	C26770050000			2024						
27	E08	159396770000	TRANSMISSION SHAFT	1			C26770000000	C26770010000	C26770040000	C26770050000			2024						
28	E08	B0109050166H	BOLT M5x16	2			C26770000000	C26770010000	C26770040000	C26770050000			2024						
29	E08	159466770000	STRAINER SUPPORT	1			C26770000000	C26770010000	C26770040000	C26770050000			2024						
30	E08	159456770000	STRAINER	1			C26770000000	C26770010000	C26770040000	C26770050000			2024						
31	E08	159406770000	BUSHING	2			C26770000000	C26770010000	C26770040000	C26770050000			2024						
32	E08	08014P620002	BOLT M8x16	1			C26770000000	C26770010000	C26770040000	C26770050000			2024						
33	E08	200012140000	GASKET	1			C26770000000	C26770010000	C26770040000	C26770050000			2024						
34	E08	159486770000	OIL COOLER	1			C26770000000	C26770010000	C26770040000	C26770050000			2024						
35	E08	159476770000	OIL COOLER SEALING GASKET	1			C26770000000	C26770010000	C26770040000	C26770050000			2024						
36	E08	159426460000	BOLT	1			C26770000000	C26770010000	C26770040000	C26770050000			2024						
37	E08	150176090000	GASKET 16x22x1.5	1			C26770000000	C26770010000	C26770040000	C26770050000			2024						
38	E08	160306030210	BOLT M6x76	13			C26770000000	C26770010000	C26770040000	C26770050000			2024						
39	E08	160306030050	BOLT M6x25	2			C26770000000	C26770010000	C26770040000	C26770050000			2024						
40	E08	159246770000	LEFT CRANKCASE COVER SEALING GASKET	1			C26770000000	C26770010000	C26770040000	C26770050000			2024						
41	E08	15949677056X	LEFT CRANKCASE COVER	1			C26770000000	C26770010000	C26770040000	C26770050000			2024						
42	E08	159256770000	BEARING BUSH III (red)	2			C26770000000	C26770010000	C26770040000	C26770050000			2024						
42	E08	159256770010	BEARING BUSH III (yellow)	2			C26770000000	C26770010000	C26770040000	C26770050000			2024						
42	E08	159256770020	BEARING BUSH III (blue)	2			C26770000000	C26770010000	C26770040000	C26770050000			2024						
42	E08	159256770030	BEARING BUSH III (black)	2			C26770000000	C26770010000	C26770040000	C26770050000			2024						
43	E08	159266770000	OIL SEAL 34x52x7	1			C26770000000	C26770010000	C26770040000	C26770050000			2024						
44	E08	159506770000	SPIGOT	1			C26770000000	C26770010000	C26770040000	C26770050000			2024						
45	E08	150083070000	PIN	1			C26770000000	C26770010000	C26770040000	C26770050000			2024						
46	E08	159436770000	COVER SEAT	1			C26770000000	C26770010000	C26770040000	C26770050000			2024						
47	E08	B091606012AL	PIN Φ6x12	1			C26770000000	C26770010000	C26770040000	C26770050000			2024						
48	E08	08014P620009	BOLT M8x65	4			C26770000000	C26770010000	C26770040000	C26770050000			2024						
49	E08	150065050000	PLUG	1			C26770000000	C26770010000	C26770040000	C26770050000			2024						
50	E08	159026770000	LEFT CRANKCASE	1			C26770000000	C26770010000	C26770040000	C26770050000			2024						
51	E08	159346770000	O-RING 47x2.1	1			C26770000000	C26770010000	C26770040000	C26770050000			2024						
52	E08	B12016190602	BEARING	1			C26770000000	C26770010000	C26770040000	C26770050000			2024						
53	E08	159366770000	OIL SEAL 30x47x7	1			C26770000000	C26770010000	C26770040000	C26770050000			2024						

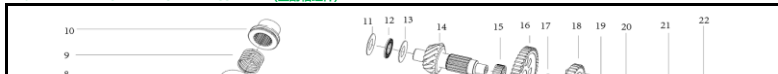
E09 GEAR SHIFT MECHANISM ASSEMBLY (变速换挡机构总成)

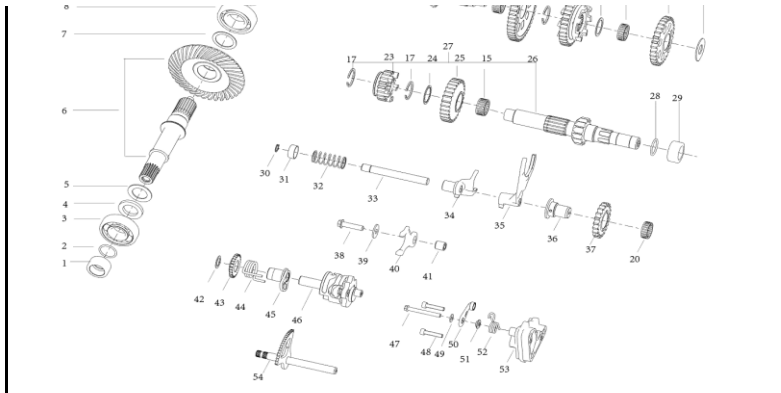




序号	位置	零件编码	英文名称及规格	数量	数量/包装	价格	通用状态	技术要求	开始年份	截止年份	整车颜色	证书	特殊代码	建议零件数量	易损件率
NO.	POSITION NO.	CODE	EN DESCRIPTION	Qty/Unit	Qty/Pack age	price	Serial No	NOTES	start year	end year	color code	certificate	special code	Suggested Parts Qty	Easily damaged Parts Ratio
1	E09	160306030230	Bolt M8×70	1			C26770000000 C26770010000 C26770040000 C26770050000		2024						
2	E09	160306030080	Hexagonal inner torx bolt - M6X35	14			C26770000000 C26770010000 C26770040000 C26770050000		2024						
3	E09	229156770000	Bolt M20×1.5	1			C26770000000 C26770010000 C26770040000 C26770050000		2024						
4	E09	160063070000	O-ring 18X3.5	1			C26770000000 C26770010000 C26770040000 C26770050000		2024						
5	E09	150103070002	Plugs	1			C26770000000 C26770010000 C26770040000 C26770050000		2024						
6	E09	22913677056X	Gearbox right cover	1			C26770000000 C26770010000 C26770040000 C26770050000		2024						
7	E09	229186770000	Rubber baffle	1			C26770000000 C26770010000 C26770040000 C26770050000		2024						
8	E09	229166770000	GASKET 20.2X30X1	1			C26770000000 C26770010000 C26770040000 C26770050000		2024						
9	E09	B1212H322000	Needle roller bearings 20x32x16	2			C26770000000 C26770010000 C26770040000 C26770050000		2024						
10	E09	159406770000	Bushing assembly	2			C26770000000 C26770010000 C26770040000 C26770050000		2024						
11	E09	219076770000	Gear display	1			C26770000000 C26770010000 C26770040000 C26770050000		2024						
12	E09	210496090000	Oil seal 12x22x6/6.5	1			C26770000000 C26770010000 C26770040000 C26770050000		2024						
13	E09	22911677056X	Variable speed right box	1			C26770000000 C26770010000 C26770040000 C26770050000		2024						
14	E09	100106030000	water pipe	1			C26770000000 C26770010000 C26770040000 C26770050000		2024						
15	E09	130052140000	Dowel pins	2			C26770000000 C26770010000 C26770040000 C26770050000		2024						
16	E09	B091408012A0	Pin 8x12	4			C26770000000 C26770010000 C26770040000 C26770050000		2024						
17	E09	229146770000	Screws M6×16	1			C26770000000 C26770010000 C26770040000 C26770050000		2024						
18	E09	150053090000	Rolling bearing	1			C26770000000 C26770010000 C26770040000 C26770050000		2024						
19	E09	22910677056X	Shift-left box	1			C26770000000 C26770010000 C26770040000 C26770050000		2024						
20	E09	219566770000	Input shaft oil seal 36x50x7	1			C26770000000 C26770010000 C26770040000 C26770050000		2024						
21	E09	160306030160	Hexagonal inner torx bolt	4			C26770000000 C26770010000 C26770040000 C26770050000		2024						
22	E09	210346770000	Rolling bearing	1			C26770000000 C26770010000 C26770040000 C26770050000		2024						
23	E09	160306030150	Hexagonal inner torx bolt	4			C26770000000 C26770010000 C26770040000 C26770050000		2024						
24	E09	160306030030	Hexagonal inner torx bolt M6X20	1			C26770000000 C26770010000 C26770040000 C26770050000		2024						
25	E09	B2204FB47357	Oil seals	1			C26770000000 C26770010000 C26770040000 C26770050000		2024						
26	E09	22927677056X	Gearbox flange cover	1			C26770000000 C26770010000 C26770040000 C26770050000		2024						
27	E09	15006305002X	Drain bolts	1			C26770000000 C26770010000 C26770040000 C26770050000		2024						
28	E09	200014130000	gasket	1			C26770000000 C26770010000 C26770040000 C26770050000		2024						
29	E09	160306030220	Bolt M8×40	5			C26770000000 C26770010000 C26770040000 C26770050000		2024						
30	E09	229206770000	Support plate II	1			C26770000000 C26770010000 C26770040000 C26770050000		2024						
31	E09	B0107080306H	Hexagonal flange face bolt M8×30	2			C26770000000 C26770010000 C26770040000 C26770050000		2024						
32	E09	B0107080206H	Hexagonal flange face bolt M8×20	6			C26770000000 C26770010000 C26770040000 C26770050000		2024						
33	E09	229196770000	Support plate I	1			C26770000000 C26770010000 C26770040000 C26770050000		2024						
34	E09	310013870000	Vehicle speed sensor	1			C26770000000 C26770010000 C26770040000 C26770050000		2024						
35	E09	160306030020	BOLT M6X16	1			C26770000000 C26770010000 C26770040000 C26770050000		2024						

110 MAIN AND AUXILIARY SHAFT ASSEMBLY (主副轴组件)

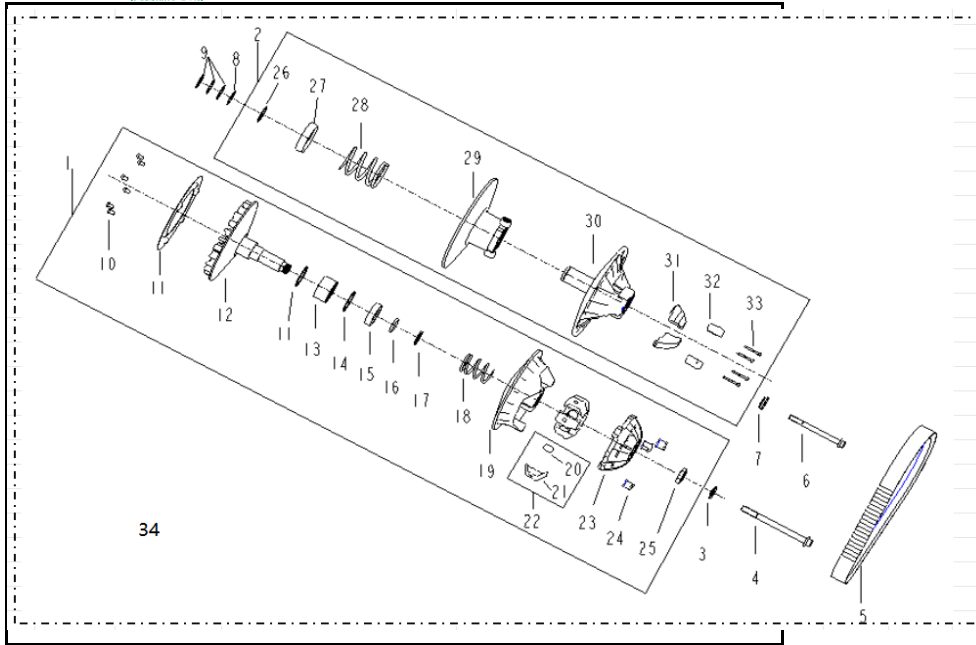




序号	位置	零件编码	英文名称及规格	数量	数量/包装	价格	通用状态					技术要求	开始年份	截止年份	整车颜色	证书	特殊代码	建议零件数量	易损件率
NO.	POSITION NO.	CODE	EN DESCRIPTION	Qty/Unit	Qty/Pack age	price	Serial No					NOTES	start year	end year	color code	certificate	special code	Suggested Parts Qty	Easily damaged Parts Ratio
1	E10	229426770000	Output shaft bushing	1			C26770000000	C26770010000	C26770040000	C26770050000			2024						
2	E10	210316030000	O-rings	1			C26770000000	C26770010000	C26770040000	C26770050000			2024						
3	E10	B12016030503	Bearing 25x62x17	1			C26770000000	C26770010000	C26770040000	C26770050000			2024						
4	E10	229246770000	Thrust washer 25.2x40x5	1			C26770000000	C26770010000	C26770040000	C26770050000			2024						
5	E10	229236770000	Adjust the washer 1.1	1			C26770000000	C26770010000	C26770040000	C26770050000			2024						
5	E10	229236770010	Adjust the washer 1.2	1			C26770000000	C26770010000	C26770040000	C26770050000			2024						
5	E10	229236770020	Adjust the washer 1.3	1			C26770000000	C26770010000	C26770040000	C26770050000			2024						
5	E10	229236770030	Adjust the washer 1.4	1			C26770000000	C26770010000	C26770040000	C26770050000			2024						
5	E10	229236770040	Adjust the washer 1.5	1			C26770000000	C26770010000	C26770040000	C26770050000			2024						
6	E10	229286770000	Output shaft assembly	1			C26770000000	C26770010000	C26770040000	C26770050000			2024						
7	E10	229216770000	Adjust the washer 0.8	1			C26770000000	C26770010000	C26770040000	C26770050000			2024						
7	E10	229216770010	Adjust the washer 0.9	1			C26770000000	C26770010000	C26770040000	C26770050000			2024						
7	E10	229216770020	Adjust the washer 1.0	1			C26770000000	C26770010000	C26770040000	C26770050000			2024						
7	E10	229216770030	Adjust the washer 1.1	1			C26770000000	C26770010000	C26770040000	C26770050000			2024						
7	E10	229216770040	Adjust the washer 1.2	1			C26770000000	C26770010000	C26770040000	C26770050000			2024						
8	E10	B12016020601	bearing	1			C26770000000	C26770010000	C26770040000	C26770050000			2024						
9	E10	229326770000	Four-wheel drive combined sleeve springs	1			C26770000000	C26770010000	C26770040000	C26770050000			2024						
10	E10	229256770000	Four-wheel drive combination set	1			C26770000000	C26770010000	C26770040000	C26770050000			2024						
11	E10	219516770000	Thrust washer 20X38X1.3	1			C26770000000	C26770010000	C26770040000	C26770050000			2024						
12	E10	210126770000	Flat needle roller bearings	1			C26770000000	C26770010000	C26770040000	C26770050000			2024						
13	E10	219516770010	Adjust the spacer 1.25	1			C26770000000	C26770010000	C26770040000	C26770050000			2024						
13	E10	219516770020	Adjust the spacer 1.30	1			C26770000000	C26770010000	C26770040000	C26770050000			2024						
13	E10	219516770030	Adjust the spacer 1.35	1			C26770000000	C26770010000	C26770040000	C26770050000			2024						
13	E10	219516770040	Adjust the spacer 1.40	1			C26770000000	C26770010000	C26770040000	C26770050000			2024						
13	E10	219516770050	Adjust the spacer 1.45	1			C26770000000	C26770010000	C26770040000	C26770050000			2024						
13	E10	219516770060	Adjust the spacer 1.50	1			C26770000000	C26770010000	C26770040000	C26770050000			2024						
14	E10	219226770000	layshaft	1			C26770000000	C26770010000	C26770040000	C26770050000			2024						
15	E10	219036250000	Open needle roller bearings	1			C26770000000	C26770010000	C26770040000	C26770050000			2024						
16	E10	219236770000	Countershaft L-gear gear	1			C26770000000	C26770010000	C26770040000	C26770050000			2024						
17	E10	219056250000	Retaining rings	3			C26770000000	C26770010000	C26770040000	C26770050000			2024						
18	E10	219246770000	Countershaft H-gear gear	1			C26770000000	C26770010000	C26770040000	C26770050000			2024						
19	E10	219156250000	gasket	1			C26770000000	C26770010000	C26770040000	C26770050000			2024						
20	E10	219496250000	Needle roller bearings	2			C26770000000	C26770010000	C26770040000	C26770050000			2024						
21	E10	219256770000	Countershaft R gears	1			C26770000000	C26770010000	C26770040000	C26770050000			2024						
22	E10	210276770000	gasket1.45	+			C26770000000	C26770010000	C26770040000	C26770050000			2024						
22	E10	210276770010	gasket1.50	+			C26770000000	C26770010000	C26770040000	C26770050000			2024						
22	E10	210276770020	gasket1.55	+			C26770000000	C26770010000	C26770040000	C26770050000			2024						
22	E10	210276770030	gasket1.60	+			C26770000000	C26770010000	C26770040000	C26770050000			2024						
22	E10	210276770040	gasket1.65	+			C26770000000	C26770010000	C26770040000	C26770050000			2024						
22	E10	210276770050	gasket1.70	+			C26770000000	C26770010000	C26770040000	C26770050000			2024						
22	E10	210276770060	gasket1.75	+			C26770000000	C26770010000	C26770040000	C26770050000			2024						

NO.	POSITION NO.	CODE	EN DESCRIPTION	Qty/Unit	Qty/Pack age	price	Serial No				NOTES	start year	end year	color code	certificate	special code	Suggested Parts Qty	Easily damaged Parts Ratio
1	E11	249016770000	Starter motor	1			C26770000000	C26770010000	C26770040000	C26770050000		2024						
2	E11	B0107080256H	Bolt M8X25	1			C26770000000	C26770010000	C26770040000	C26770050000		2024						
3	E11	249026770000	Electric start gears	1			C26770000000	C26770010000	C26770040000	C26770050000		2024						
4	E11	249056770000	Electrically started gear shaft	2			C26770000000	C26770010000	C26770040000	C26770050000		2024						
5	E11	249046770000	Electrically started idler pulleys	1			C26770000000	C26770010000	C26770040000	C26770050000		2024						
6	E11	249076770000	Electrically started bull gear assembly	1			C26770000000	C26770010000	C26770040000	C26770050000		2024						
7	E11	249106770000	Beyond the clutch assembly	1			C26770000000	C26770010000	C26770040000	C26770050000		2024						
8	E11	299026770000	Flywheel assembly	1			C26770000000	C26770010000	C26770040000	C26770050000		2024						
9	E11	B0205080166H	Hexagon socket head screw M8×16	3			C26770000000	C26770010000	C26770040000	C26770050000		2024						
10	E11	170206770000	Locking gaskets	1			C26770000000	C26770010000	C26770040000	C26770050000		2024						
11	E11	249176770000	Bolt M16X35	1			C26770000000	C26770010000	C26770040000	C26770050000		2024						
12	E11	B0205060306H	Allen socket head screw M6X30	3			C26770000000	C26770010000	C26770040000	C26770050000		2024						
13	E11	299036770000	Stator assembly	1			C26770000000	C26770010000	C26770040000	C26770050000		2024						

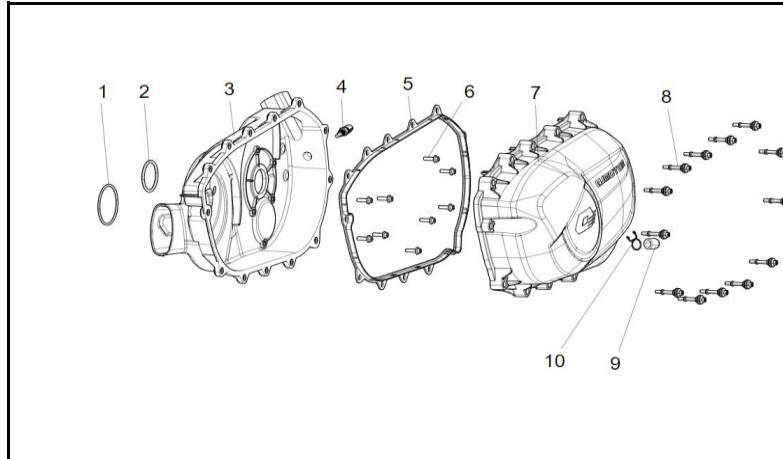
E12 CLUTCH SYSTEM(离合器总成) CVTech



序号	位置	零件编码	英文名称及规格	数量	数量/包装	价格	通用状态				技术要求	开始年份	截止年份	整车颜色	证书	特殊代码	建议零件数量	易损件率
NO.	POSITION NO.	CODE	EN DESCRIPTION	Qty/Unit	Qty/Pack age	price	Serial No				NOTES	start year	end year	color code	certificate	special code	Suggested Parts Qty	Easily damaged Parts Ratio
1	E12	209026770020	DRIVE FACE ASSY	1			C26770000000	C26770110000	C26770040000			2024						
2	E12	209036770020	DRIVE PULLEY ASSY	1			C26770000000	C26770110000	C26770040000			2024						
3	E12	209646770000	WASHER	1			C26770000000	C26770110000	C26770040000			2024						
4	E12	209656770000	BOLT M12×153	1			C26770000000	C26770110000	C26770040000			2024						
5	E12	209476770020	BELT	1			C26770000000	C26770110000	C26770040000			2024						
6	E12	209636770000	BOLT M10×120	1			C26770000000	C26770110000	C26770040000			2024						
7	E12	209626770000	WASHER	1			C26770000000	C26770110000	C26770040000			2024						
8	E12	210276090000	WASHER 25×35×0.2	6			C26770000000	C26770110000	C26770040000			2024						
9	E12	B07840002500	WASHER 25×35×0.5	1			C26770000000	C26770110000	C26770040000			2024						
10	E12	209846770000	SCREW	6			C26770000000	C26770110000	C26770040000			2024						

3	E12	209646770030	WASHER	1			C26770010000	C26770060000	C26770050000									2024		
4	E12	209656770030	BOLT M12×153	1			C26770010000	C26770060000	C26770050000									2024		
5	E12	209476770020	BELT	1			C26770010000	C26770060000	C26770050000									2024		
6	E12	209636770030	BOLT M10×120	1			C26770010000	C26770060000	C26770050000									2024		
7	E12	209626770030	WASHER	1			C26770010000	C26770060000	C26770050000									2024		
8	E12	210276090000	WASHER 25×35×0.2	6			C26770010000	C26770060000	C26770050000									2024		
9	E12	B07840002500	WASHER 25×35×0.5	1			C26770010000	C26770060000	C26770050000									2024		
10	E12	209846770030	SCREW	6			C26770010000	C26770060000	C26770050000									2024		
11	E12	209836770030	WINDSHIELDS	1			C26770010000	C26770060000	C26770050000									2024		
12	E12	209826770030	FIXING PLATE	1			C26770010000	C26770060000	C26770050000									2024		
13	E12	209806770030	WASHER40.1X49.4X1.3	2			C26770010000	C26770060000	C26770050000									2024		
14	E12	209816770030	NEEDLE ROLLER BEARINGS 40X52X28	1			C26770010000	C26770060000	C26770050000									2024		
15	E12	209946770030	SPRING SEAT	1			C26770010000	C26770060000	C26770050000									2024		
16	E12	209796770030	WASHER28.3X34.3X4	1			C26770010000	C26770060000	C26770050000									2024		
17	E12	209786770030	SPEED LIMITING WASHER	1			C26770010000	C26770060000	C26770050000									2024		
18	E12	209776770030	SPEING1	1			C26770010000	C26770060000	C26770050000									2024		
19	E12	209766770030	MOVING DISC	6			C26770010000	C26770060000	C26770050000									2024		
20	E12	209756770030	COUNTERWEIGHT BLOCK	6			C26770010000	C26770060000	C26770050000									2024		
21	E12	209746770030	SLIDER	6			C26770010000	C26770060000	C26770050000									2024		
22	E12	209936770030	CENTRIFUGAL SEING BLOCK ASSEMBLY	1			C26770010000	C26770060000	C26770050000									2024		
23	E12	209726770030	THRUST PLATE	1			C26770010000	C26770060000	C26770050000									2024		
24	E12	209736770030	GUIDE BLOCK	3			C26770010000	C26770060000	C26770050000									2024		
25	E12	209716770030	NUT M22	1			C26770010000	C26770060000	C26770050000									2024		
26	E12	209926770030	BEAD FLANGE	1			C26770010000	C26770060000	C26770050000									2024		
27	E12	209996770030	Spring seat washer	1			C26770010000	C26770060000	C26770050000									2024		
28	E12	209916770030	REAR SPRING SEAT	1			C26770010000	C26770060000	C26770050000									2024		
29	E12	209906770030	SPRING	1			C26770010000	C26770060000	C26770050000									2024		
30	E12	209896770030	REAR MOVING DISK	1			C26770010000	C26770060000	C26770050000									2024		
31	E12	209886770030	REAR RETAINER PLATE	1			C26770010000	C26770060000	C26770050000									2024		
32	E12	209876770030	SLIDE2	2			C26770010000	C26770060000	C26770050000									2024		
33	E12	209866770030	SLIDE1	2			C26770010000	C26770060000	C26770050000									2024		
34	E12	209856770030	BOLT M4*35	4			C26770010000	C26770060000	C26770050000									2024		
35	E12	209016770030	CLUTCH SYSTEM	1			C26770010000	C26770060000	C26770050000									2024		

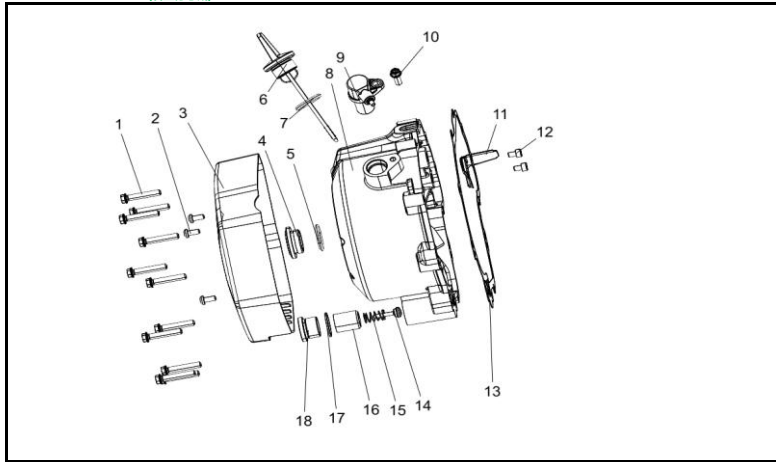
E13 CLUTCH COVER ASSY (离合器盖总成)



序号	位置	零件编码	英文名称及规格	数量	数量/包装	价格	通用状态				技术要求	开始年份	截止年份	整车颜色	证书	特殊代码	建议零件数量	易损件率
NO.	POSITION NO.	CODE	EN DESCRIPTION	Qty/Unit	Qty/Pack age	price	Serial No				NOTES	start year	end year	color code	certificate	special code	Suggested Parts Qty	Easily damaged Parts Ratio
1	E13	209346770000	O-RING58X3.55	1			C26770000000	C26770010000	C26770040000	C26770050000		2024						
2	E13	209336770000	O-RING51X4.4	1			C26770000000	C26770010000	C26770040000	C26770050000		2024						
3	E13	209356770000	CLUTCH INNER COVER ASSEMBLY	1			C26770000000	C26770010000	C26770040000	C26770050000		2024						

4	E13	270014590000	WATER TEMPERATURE SENSOR	1			C26770000000	C26770010000	C26770040000	C26770050000										2024
5	E13	209326770000	CLUTCH COVER GASKET	1			C26770000000	C26770010000	C26770040000	C26770050000										2024
6	E13	B0107060206H	BOLT	9			C26770000000	C26770010000	C26770040000	C26770050000										2024
7	E13	209316770000	CLUTCH OUTER COVER	1			C26770000000	C26770010000	C26770040000	C26770050000										2024
8	E13	109116770000	SCREW BOLT ASSEMBLY	13			C26770000000	C26770010000	C26770040000	C26770050000										2024
9	E13	209606770000	WATER DRAIN PIPE	1			C26770000000	C26770010000	C26770040000	C26770050000										2024
10	E13	B1701019000H	WIRE CLAMP	1			C26770000000	C26770010000	C26770040000	C26770050000										2024

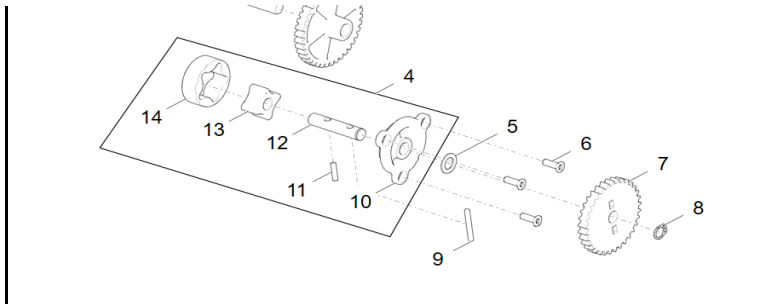
E14 RIGHT COVER ASSY (右盖分总成)



序号	位置	零件编码	英文名称及规格	数量	数量/包装	价格	适用状态				技术要求	开始年份	截止年份	整车颜色	证书	特殊代码	建议零件数量	易损件率
NO.	POSITION NO.	CODE	EN DESCRIPTION	Qty/Unit	Qty/Pack age	price	Serial No				NOTES	start year	end year	color code	certificate	special code	Suggested Parts Qty	Easily damaged Parts Ratio
1	E14	160306030080	BOLT M6X35	11			C26770000000	C26770010000	C26770040000	C26770050000		2024						
2	E14	B0207050126S	BOLT 65X12	3			C26770000000	C26770010000	C26770040000	C26770050000		2024						
3	E14	169126770000	RIGHT COVER OUTER COVER	1			C26770000000	C26770010000	C26770040000	C26770050000		2024						
4	E14	169086570000	ACCESS PLATE	1			C26770000000	C26770010000	C26770040000	C26770050000		2024						
5	E14	169316570000	O-RING	1			C26770000000	C26770010000	C26770040000	C26770050000		2024						
6	E14	169186770000	OIL LEVEL GAUGE	1			C26770000000	C26770010000	C26770040000	C26770050000		2024						
7	E14	B190102240C0	O-RING	1			C26770000000	C26770010000	C26770040000	C26770050000		2024						
8	E14	16910677056X	RIGHT COVER	1			C26770000000	C26770010000	C26770040000	C26770050000		2024						
9	E14	299046770000	CRANKSHAFT SENSOR	1			C26770000000	C26770010000	C26770040000	C26770050000		2024						
10	E14	160306030020	BOLT M6X16	1			C26770000000	C26770010000	C26770040000	C26770050000		2024						
11	E14	169206770000	HARNESS CLAMP	1			C26770000000	C26770010000	C26770040000	C26770050000		2024						
12	E14	B0205050086H	BOLT M5X8	2			C26770000000	C26770010000	C26770040000	C26770050000		2024						
13	E14	169116770000	RIGHT COVER GASKET	1			C26770000000	C26770010000	C26770040000	C26770050000		2024						
14	E14	269236770000	PRESSURE RELIEF SPOOL	1			C26770000000	C26770010000	C26770040000	C26770050000		2024						
15	E14	269246770000	PRESSURE RELIEF VALVE SPRING	1			C26770000000	C26770010000	C26770040000	C26770050000		2024						
16	E14	269226770000	PLUNGER	1			C26770000000	C26770010000	C26770040000	C26770050000		2024						
17	E14	269206770000	COPPER PACKING	1			C26770000000	C26770010000	C26770040000	C26770050000		2024						
18	E14	269216770000	PRESSURE RELIEF BOLT	1			C26770000000	C26770010000	C26770040000	C26770050000		2024						

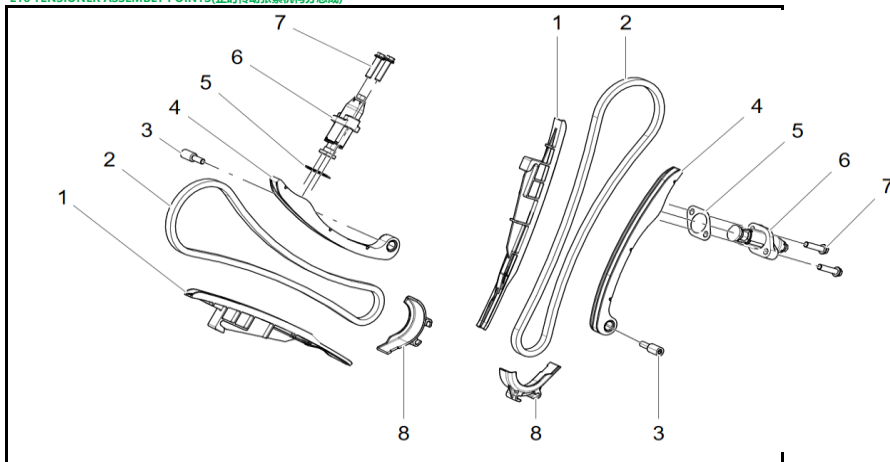
E15 OIL PUP SYSTEM (机油泵分总成)





序号	位置	零件编码	英文名称及规格	数量	数量/包装	价格	通用状态				技术要求	开始年份	截止年份	整车颜色	证书	特殊代码	建议零件数量	易损件率
NO.	POSITION NO.	CODE	EN DESCRIPTION	Qty/Unit	Qty/Pack age	price	Serial No				NOTES	start year	end year	color code	certificate	special code	Suggested Parts Qty	Easily damaged Parts Ratio
1	E15	269136770000	BREATHER VALVE GEAR	1			C26770000000	C26770010000	C26770040000	C26770050000		2024						
2	E15	269106770000	IDLER	1			C26770000000	C26770010000	C26770040000	C26770050000		2024						
3	E15	269126770000	IDLER SHAFT	1			C26770000000	C26770010000	C26770040000	C26770050000		2024						
4	E15	269016770000	OIL PUMP SUBASSEMBLY	1			C26770000000	C26770010000	C26770040000	C26770050000		2024						
5	E15	159236250000	WASHER	1			C26770000000	C26770010000	C26770040000	C26770050000		2024						
6	E15	109646460000	HEXAGON LOBULAR SOCKET COUNTERSUNK HEAD SCREW M5×16	3			C26770000000	C26770010000	C26770040000	C26770050000		2024						
7	E15	269096770000	OIL PUMP GEAR	1			C26770000000	C26770010000	C26770040000	C26770050000		2024						
8	E15	B080100010A1	RETAINING RINGS 10	1			C26770000000	C26770010000	C26770040000	C26770050000		2024						
9	E15	B210140298P2	PIN 4×29.8	1			C26770000000	C26770010000	C26770040000	C26770050000		2024						
10	E15	269036770000	OIL PUMP COVER	1			C26770000000	C26770010000	C26770040000	C26770050000		2024						
11	E15	B210140158P2	PIN 4×15.8	1			C26770000000	C26770010000	C26770040000	C26770050000		2024						
12	E15	269066770000	OIL PUMP SHAFT	1			C26770000000	C26770010000	C26770040000	C26770050000		2024						
13	E15	269046770010	INTERNAL ROTOR	1			C26770000000	C26770010000	C26770040000	C26770050000		2024						
14	E15	269056770010	EXTERNAL ROTOR	1			C26770000000	C26770010000	C26770040000	C26770050000		2024						

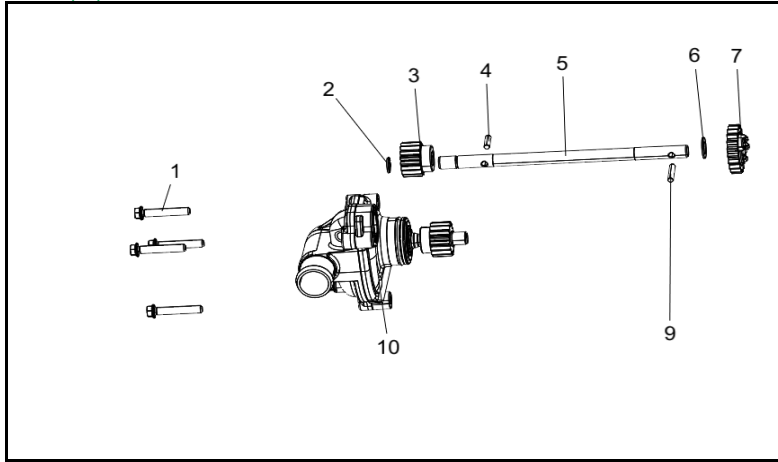
E16 TENSIONER ASSEMBLY POINTS(正时传动张紧机构分总成)



序号	位置	零件编码	英文名称及规格	数量	数量/包装	价格	通用状态				技术要求	开始年份	截止年份	整车颜色	证书	特殊代码	建议零件数量	易损件率
----	----	------	---------	----	-------	----	------	--	--	--	------	------	------	------	----	------	--------	------

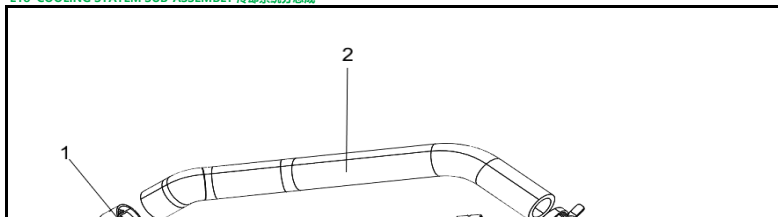
NO.	POSITION NO.	CODE	EN DESCRIPTION	Qty/Unit	Qty/Pack age	price	Serial No				NOTES	start year	end year	color code	certificate	special code	Suggested Parts Qty	Easily damaged Parts Ratio
1	E16	149026770000	SECONDARY GUIDE PLATE	2			C26770000000	C26770010000	C26770040000	C26770050000		2024						
2	E16	129026770000	TIMING CHAIN	2			C26770000000	C26770010000	C26770040000	C26770050000		2024						
3	E16	140036770000	GUIDE PLATE BOLT	2			C26770000000	C26770010000	C26770040000	C26770050000		2024						
4	E16	149016770000	MAIN CHAIN PLATE ASSEMBLY	2			C26770000000	C26770010000	C26770040000	C26770050000		2024						
5	E16	149056770000	GASKET	2			C26770000000	C26770010000	C26770040000	C26770050000		2024						
6	E16	149036770000	TENSIONER ASSEMBLY	2			C26770000000	C26770010000	C26770040000	C26770050000		2024						
7	E16	160306030050	BOLT M6X25	4			C26770000000	C26770010000	C26770040000	C26770050000		2024						
8	E16	149046770000	CHAIN DAMPER	2			C26770000000	C26770010000	C26770040000	C26770050000		2024						

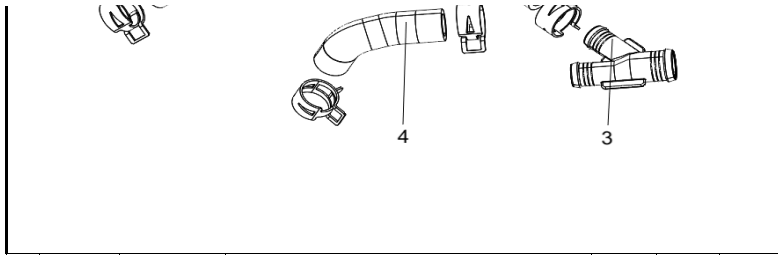
E17 Water pump SYSTEM (水泵分总成)



序号	位置	零件编码	英文名称及规格	数量	数量/包装	价格	通用状态				技术要求	开始年份	截止年份	整车颜色	证书	特殊代码	建议零件数量	易损件率
NO.	POSITION NO.	CODE	EN DESCRIPTION	Qty/Unit	Qty/Pack age	price	Serial No				NOTES	start year	end year	color code	certificate	special code	Suggested Parts Qty	Easily damaged Parts Ratio
1	E17	160306030080	BOLT M635	4			C25440030000	C26770010000	C26770040000	C26770050000		2024						
2	E17	B080100010A6	SHAFT RING	1			C25440030000	C26770010000	C26770040000	C26770050000		2024						
3	E17	270036770010	WATER PUMP GEAR	1			C25440030000	C26770010000	C26770040000	C26770050000		2024						
4	E17	B210140148P2	PIN4X14	1			C25440030000	C26770010000	C26770040000	C26770050000		2024						
5	E17	270076770000	INTERMEDIATE SHAFT	1			C25440030000	C26770010000	C26770040000	C26770050000		2024						
6	E17	159236250000	GASKET	1			C25440030000	C26770010000	C26770040000	C26770050000		2024						
7	E17	270086770000	INTERMEDIATE SHAFT GEAR	1			C25440030000	C26770010000	C26770040000	C26770050000		2024						
8	E17	270116770000	WATER PUMP BODY SEAL RING	1			C25440030000	C26770010000	C26770040000	C26770050000		2024						
9	E17	B090104020A0	PIN	1			C25440030000	C26770010000	C26770040000	C26770050000		2024						
10	E17	270126770000	PUMP ASSY WATER	1			C25440030000	C26770010000	C26770040000	C26770050000		2024						

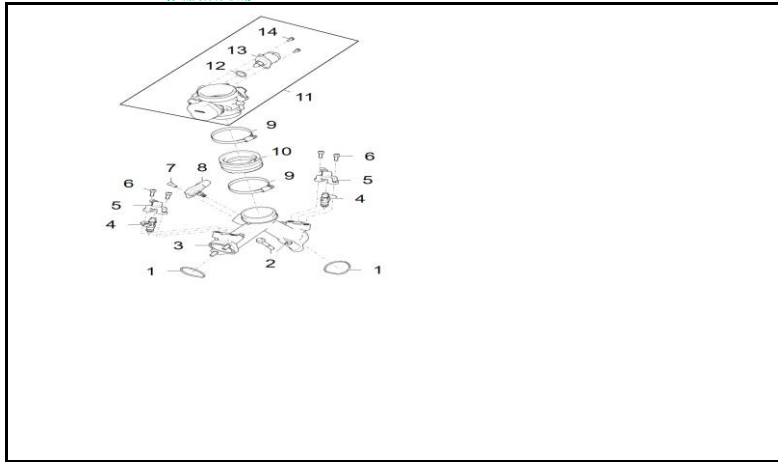
E18 COOLING SYATEM SUB-ASSEMBLY 冷却系统分总成





序号	位置	零件编码	英文名称及规格	数量	数量/包装	价格	适用状态				技术要求	开始年份	截止年份	整车颜色	证书	特殊代码	建议零件数量	易损件率
NO.	POSITION NO.	CODE	EN DESCRIPTION	Qty/Unit	Qty/Pack age	price	Serial No				NOTES	start year	end year	color code	certificate	special code	Suggested Parts Qty	Easily damaged Parts Ratio
1	E18	06106P250000	O-RINGS8X3.55	4			C26770000000	C26770010000	C26770040000	C26770050000		2024						
2	E18	270216770000	REAR CYLINDER OUTLET PIPE	1			C26770000000	C26770010000	C26770040000	C26770050000		2024						
3	E18	270206770000	FRONT CYLINDER OUTLET PIPE	1			C26770000000	C26770010000	C26770040000	C26770050000		2024						
4	E18	270226770000	T-BRANCH PIPE	1			C26770000000	C26770010000	C26770040000	C26770050000		2024						

E19 THROTTLE BODY ASSY (节流阀体分总成)



序号	位置	零件编码	英文名称及规格	数量	数量/包装	价格	适用状态				技术要求	开始年份	截止年份	整车颜色	证书	特殊代码	建议零件数量	易损件率
NO.	POSITION NO.	CODE	EN DESCRIPTION	Qty/Unit	Qty/Pack age	price	Serial No				NOTES	start year	end year	color code	certificate	special code	Suggested Parts Qty	Easily damaged Parts Ratio
1	E19	289196770000	O-RING	2			C26770000000	C26770010000	C26770040000	C26770050000		2024						
2	E19	B0107080556H	BOLT M8×55	4			C26770000000	C26770010000	C26770040000	C26770050000		2024						
3	E19	289136770000	AIR INTAKE PIPE SUBASSEMBLY	1			C26770000000	C26770010000	C26770040000	C26770050000		2024						
4	E19	289036770000	FUEL INJECTOR	2			C26770000000	C26770010000	C26770040000	C26770050000		2024						
5	E19	289166770000	FUEL RAIL	2			C26770000000	C26770010000	C26770040000	C26770050000		2024						
6	E19	B0205060156H	HEXAGON SOCKET CYLINDRICAL HEAD SCREWS M6×15	4			C26770000000	C26770010000	C26770040000	C26770050000		2024						
7	E19	B0205060128H	HEXAGON SOCKET CYLINDRICAL HEAD SCREWS M6×12	1			C26770000000	C26770010000	C26770040000	C26770050000		2024						
8	E19	280026770000	INLET PRESSURE TEMPERATURE SENSOR	1			C26770000000	C26770010000	C26770040000	C26770050000		2024						
9	E19	10508W610000	CLAMP 60--80	2			C26770000000	C26770010000	C26770040000	C26770050000		2024						
10	E19	289406770000	CONNECTING PIPE	1			C26770000000	C26770010000	C26770040000	C26770050000		2024						
11	E19	289506770010	THROTTLE BODY SUBASSEMBLY	1			C26770000000	C26770010000	C26770040000	C26770050000		2024						
12	E19	280216240000	O-RING 18.72x2.62	1			C26770000000	C26770010000	C26770040000	C26770050000		2024						

13	E19	280036770000	STEPPER MOTOR	1			C26770000000	C26770010000	C26770040000	C26770050000			2024					
14	E19	B1304040120H	COMBINATION SCREW M4x12	2			C26770000000	C26770010000	C26770040000	C26770050000			2024					