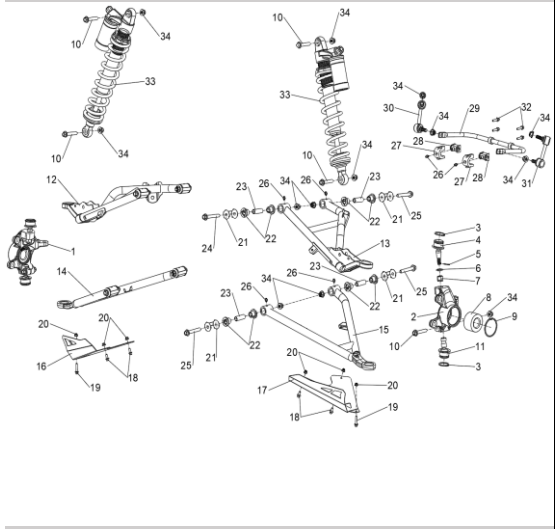


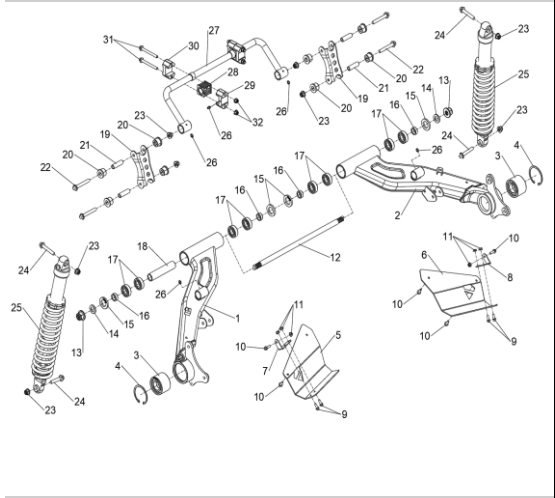
ATV1KM ATV1KM Parts Catalog

1前悬挂



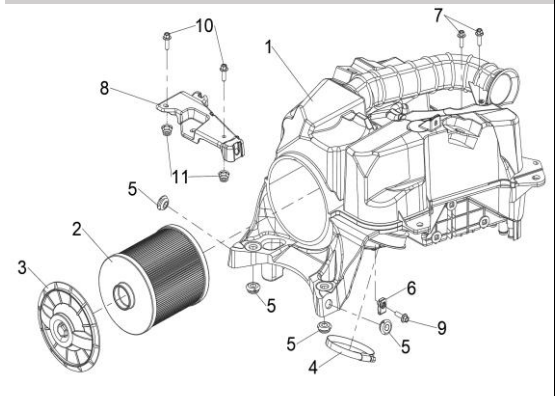
序号 Item No.	物料代码 Material Code	英文名称 English Name	型号 Specification	单车用量 Quantity	销售单价 Unit Price
1	06A0220000	Front Knuckle R		1	515,23
2	06A02100000	Front Knuckle L		1	515,23
3	20180700001	Circlip	ø34	4	50,25
4	06A01100000	Upper Ball Joint	QR-GD-Z-8JHM12NRSXSAY3QJ.00	2	55,39
5	20180800001	Cotter Pin	ø2.5	2	50,25
6	20180600011	Washer φ12		2	50,25
7	20180400027	Castle Nut	M12	2	50,25
8	20180900001	Hub Bearing	DAC30600337-2RSC1	2	56,50
9	20180700004	Circlip	ø60	2	50,25
10	20180100046	Bolt	M10*55	6	50,25
11	06A01000000	Lower Ball Joint	QR-GD-Z-8JH18NRSXSAXSY3.00-A	2	55,39
12	06A00400000	Front Upper A-Arm R		1	59,47
13	06A00300000	Front Upper A-Arm L		1	59,47
14	06A00200000	Front Under A-Arm L		1	56,69
15	06A01000000	Front Under A-Arm L		1	56,69
16	06A00600001	Lower Control Arm Protection Plate R		1	51,86
17	06A00500001	Lower Control Arm Protection Plate L		1	51,86
18	20180100007	Bolt	M6*16	4	50,25
19	20180100010	Bolt	M6*30	2	50,25
20	20180400006	Nut	M6	6	50,25
21	06A00900000	Nylon Bushing Holder for Control Arm		8	50,25
22	06A00700000	Nylon Bush		16	50,25
23	06A00800001	Middle Bush		8	50,46
24	20180100048	Bolt	M10*70	2	50,50
25	20180100047	Bolt	M10*65	6	50,50
26	20181100001	Grease Nipple	90*M6	10	50,25
27	06A01500000	Sway Bar Clamp		2	51,02
28	06A01600000	Sway Bar Rubber	43163W610000	2	50,37
29	06A01400000	Front Sway Bar		1	54,83
30	06A01800000	Front Sway Bar Link R		1	56,50
31	06A01700000	Front Sway Bar Link L		1	56,50
32	20180100008	Bolt	M6*20	4	50,25
33	06A01900000	Front Shock Absorber		2	553,49
34	20180400017	Nut	M10	18	50,25

2后悬挂



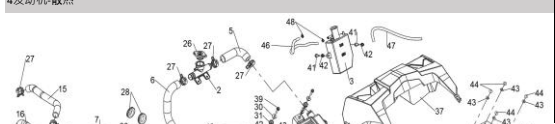
序号 Item No.	物料代码 Material Code	英文名称 English Name	型号 Specification	单车用量 Quantity	销售单价 Unit Price
1	06B00200000	LH Swing Arm		1	544,01
2	06B00300000	RH Swing Arm		1	544,01
3	20180900003	Hub Bearing	DAC30630042-2RSC1	2	56,69
4	20180700005	Circlip	ø63	2	50,25
5	06B01400001	Rear Swing Arm Shield L		1	53,08
6	06B01500001	Rear Swing Arm Shield R		1	53,08
7	06B02100000	Rear Swing Arm Shield Mount L		1	50,50
8	06B02200000	Rear Swing Arm Shield Mount R		1	50,50
9	20180100007	Bolt	M6*16	6	50,25
10	20180100006	Bolt	M6*12	4	50,25
11	20180400006	Nut	M6	6	50,25
12	06B01200000	Swing Arm Connecting Axle		1	53,71
13	20180400038	Nut	M16	2	50,50
14	20180600022	Spacer		2	50,50
15	20181000001	Rear Support Arm Oil Seal	25*40-5	4	50,37
16	06B01000000	Rear Support Arm Outer Bushing		4	50,41
17	20180900002	Rear Support Arm Bearing	6203-2RS	8	50,69
18	06B01100000	Rear Support Arm Inner Bushing		2	50,56
19	06B00800000	Sway Bar Linkage		2	50,93
20	06B01900000	Sway Bar Nylon Bushing		8	50,50
21	06B02000001	Sway Bar Inner Bushing		4	50,46
22	20180100048	Bolt	M10*70	4	50,50
23	20180400017	Nut	M10	8	50,25
24	20180100046	Bolt	M10*55	4	50,25
25	06B00100000	Rear Shock Absorber		2	546,06
26	20181100002	Grease Nipple	中道M6	6	50,25
27	06B00400000	Rear Sway Bar		1	57,80
28	06B00500000	Sway Bar Rubber		2	51,39
29	06B00700000	Sway Bar Clamp (Grease Nipple)		2	53,25
30	06B00600000	Sway Bar Clamp		2	53,06
31	20180100031	Bolt	M8*80	8	50,25
32	20180400014	Nut	M8*80	4	50,25

3发动机-进气

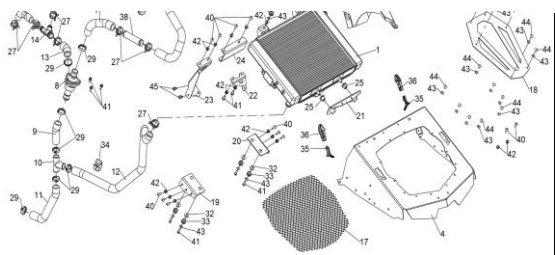


序号 Item No.	物料代码 Material Code	英文名称 English Name	型号 Specification	单车用量 Quantity	销售单价 Unit Price
1	06F00100000-1	Air Filter Housing		1	538,07
2	06F00100000-2	Air Filter		1	53,71
3	06F00100000-3	Air Filter Cover		1	51,86
4	06F00100000-4	Clamp		1	50,50
5	06F00300000	Fixing Rubber		4	50,50
6	20180400010	Reed Nut	M6	1	50,25
7	20180100008	Bolt	M6*20	2	50,25
8	06F00500000	Air Filter Bracket		1	50,67
9	20180100007	Bolt	M6*16	1	50,25
10	20180100009	Bolt	M6*25	2	50,25
11	20180400006	Nut	M6	2	50,25
12					
13					
14					
15					
16					
17					
18					
19					
20					
21					
22					
23					
24					
25					
26					

4发动机-散热

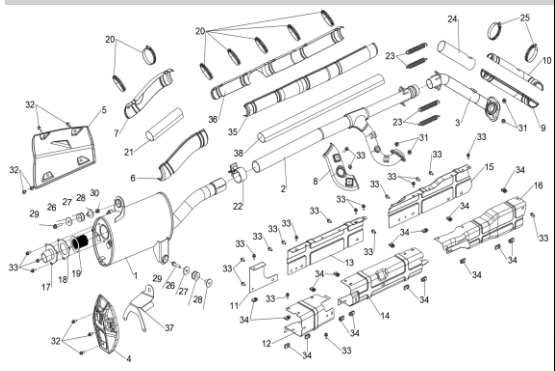


序号 Item No.	物料代码 Material Code	英文名称 English Name	型号 Specification	单车用量 Quantity	销售单价 Unit Price
1	06K01500000	Radiator		1	567,79
2	06K01700000	Radiator Filler Neck		1	50,93
3	06K02500000	Square Coolant Reservoir		1	54,64
4	06K01600000	Radiator Grille		1	512,07
5	06K03100000	Radiator Inlet Hose-3		1	50,80
6	06K03000000	Radiator Inlet Hose-2		1	52,14
7	06K02900000	Radiator Inlet Hose-1		1	50,87



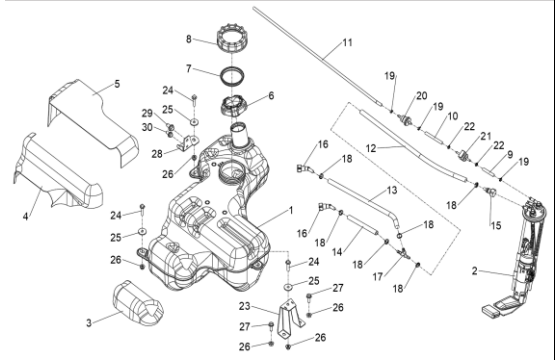
8	06K00800000	Thermostat Assembly		1	57,61	7,61
9	06K03300000	Hose (T Fitting)		1	50,56	0,56
10	11N01300000	T Fitting		1	50,93	0,93
11	06K00400000	Hose (Inner)		1	51,11	1,11
12	06K02800000	Hose (Outer)		1	53,25	3,25
13	06K02200000	Hose (Y Pipe)		1	50,41	0,41
14	06K04000000	Y Fitting		1	50,93	0,93
15	06K05000000	2st Hose (Outer)		1	51,30	1,3
16	06K05100000	1st Hose (Outer)		1	50,84	0,84
17	06K03200000	Radiator Mesh Guard		1	55,57	5,57
18	06K033C0100	Middle Plate (Yellow)				1,82
	06K033C0200	Middle Plate (Blue)		1	51,82	0
	06K033C0300	Middle Plate (Red)				0
	06K033C0400	Middle Plate (Orange)				0
19	06K03400000	Support left		1	50,56	0,56
20	06K03500000	Support right		1	50,56	0,56
21	06K03600000	Support Bottom		1	50,74	0,74
22	06K02600000	Coolant tank support		1	50,28	0,28
23	06K02700000	CVT pipe support		1	50,67	0,67
24	06K02400000	Filler neck support		1	51,21	1,21
25	06K01500000-1	Rubber bush		2	50,25	0,5
26	06K02300000	Radiator pressure cap		1	50,97	0,97
27	20181400006	Clamp	ø30 DIN 3021-1(A)-1999弹性卡箍	11	50,25	2,75
28	06K02900000	Grommet		2	50,28	0,56
29	20181400010	Gear clamp	ø34.6	8	50,25	2
30	06K01500000-2	Rubber bush		2	50,25	0,5
31	06K01500000-3	Metal Bush		2	50,25	0,5
32	06K01500000-4	Rubber bush		2	50,25	0,5
33	06K01500000-5	Metal Bush		2	50,25	0,5
34	06K01200000	Hose retainer		1	50,50	0,5
35	06K02000000	End piece latch		2	50,56	1,12
36	06K01900000	Panel latch		2	50,46	0,92
37	06K01800000	Protection cover kit		1	55,57	5,57
38	06K03800000	Nipple tube		1	50,93	0,93
39	20180100009	Bolt	M6*25	2	50,25	0,5
40	20180100087	Bolt	M6*16内六角	17	50,25	4,25
41	20180100087	Bolt	M6*16	4	50,25	1
42	20180400006	Nut	M6	14	50,25	3,5
43	20180600030	Spacer	6*22*2	20	50,25	5
44	20180300001	Rivet	5*20	20	50,25	5
45	20180400009	Rivet nut	M6	2	50,25	0,5
46	06K02500000-1	Polyurethane hose		1	50,50	0,5
47	06K02500000-2	Polyurethane hose		2	50,50	0,5
48	20181400004	Circlip	ø10	2	50,25	0,5

5发动机-排气



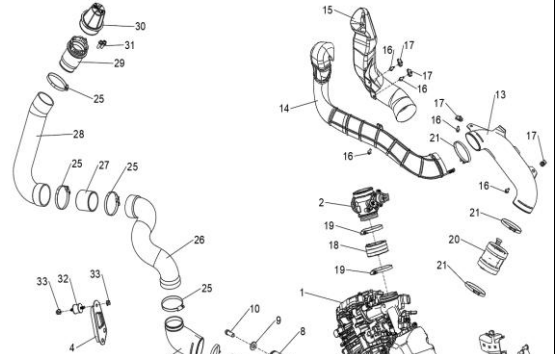
序号	物料代码	英文名称	型号	单车用量	
Item No.	Material Code	English Name	Specification	Quantity	
1	06H00300000	Muffler		1	53,86
2	06H00200000	Rear head pipe		1	52,07
3	06H00100000	Front head pipe		1	51,07
4	06H00700000	Heat Deflector		1	51,49
5	06H00800000	Heat Shield End Cap		1	51,11
6	06H02300000	Thermal Insulation Shield-Down		1	50,93
7	06H02200000	Thermal Insulation Shield-Up		1	50,93
8	06H01900000	2st Thermal Insulation Shield		1	50,93
9	06H02500000	1st Thermal Insulation Shield-Down		1	50,93
10	06H02400000	1st Thermal Insulation Shield-Up		1	50,93
11	06H02100000	Protector End		1	50,56
12	17007010420	Protector Middle		1	51,93
13	06H01700000	Protector Front		1	52,84
14	06H01800000	Protector Rear		1	53,57
15	06H01500000	Protector Outer		1	52,45
16	06H01600000	Protector Inner		1	53,57
17	06H01400000	Muffler End		1	52,23
18	06H01200000	Muffler End Gasket		1	50,56
19	06H01300000	Spark Arrestor		1	51,49
20	20181400019	Clamp	美式卡箍46-70	7	50,50
21	06H02100000	Insulation		1	51,86
22	06H00600000	Clamp	ø48	1	51,86
23	06H00400000	Spring		4	51,02
24	06H02600000	Insulation		1	51,11
25	20181400018	Clamp	美式卡箍33-57	1	50,50
26	06H01200000	Washer		2	50,25
27	06H00900000	Vibration Damper		2	51,11
28	06H01000000	Spacer Bushing		2	50,46
29	20180100024	Bolt	M8*40	2	50,25
30	20180400019	Nut	M10	1	50,25
31	20180400011	Nut	M8六角法兰	4	50,25
32	20180100007	Bolt	M6*16内六角	7	50,25
33	20180100007	Bolt	M6*16	23	50,25
34	20180400010	Reed Nut	M6	17	50,25
35	20070081	2st Thermal Insulation Shield-Down		1	52,70
36	20070082	2st Thermal Insulation Shield-Up		1	52,70
37	06H02800000	Protector		1	50,56
38	20070083	Insulation		2	50,30

6发动机-燃油

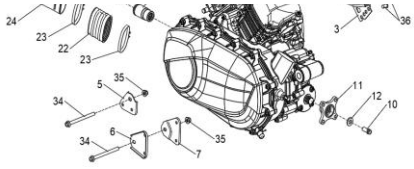


序号	物料代码	英文名称	型号	单车用量	
Item No.	Material Code	English Name	Specification	Quantity	
1	06E00100000	Fuel Tank		1	534,36
2	06E00500000	Fuel Pump Ass'y	双孔型	1	523,96
3	06E01000000-1	Fuel Tank Heat Shield-1		1	50,93
4	06E01000000-2	Fuel Tank Heat Shield-2		1	51,30
5	06E01000000-3	Fuel Tank Heat Shield-3		1	51,30
6	06E00600000	Fuel Cap	密封型	1	51,86
7	06E00500000-2	Seal		1	50,56
8	06E00100000-2	Fuel Pump Module Nut		1	51,86
9	06D02500000-1	Gas Tank Breather Pipe-1		1	50,56
10	06D02500000-2	Gas Tank Breather Pipe-2		1	50,56
11	06D02500000-3	Gas Tank Breather Pipe-3		1	51,86
12	06E01600000-1	Fuel Line-1		1	52,23
13	06E01600000-2	Fuel Line-2		1	51,86
14	06E01600000-3	Fuel Line-3		1	50,93
15	06E01600000-4	Quick Fitting		1	50,74
16	06E01600000-5	Quick Fitting 45°		2	50,74
17	06E01600000-6	Y-fitting		1	50,56
18	06E01600000-7	Clamp	157单耳无板卡箍	5	50,25
19	20181400002	Clamp	弹性卡箍ø8	3	50,25
20	06E00700000	Check Valve		1	51,37
21	06E01700000	Filter		1	50,65
22	20181400001	Clamp	弹性卡箍ø7	2	50,25
23	06E01500000	Bracket fuel tank		1	51,49
24	20180100022	Bolt	M8*30	3	50,25
25	20180600006	Spacer	ø8*33*2	3	50,25
26	20180400014	Nut	M8	5	50,25
27	20180100019	Bolt	M8*20	2	50,25
28	06E01400000	Bracket fuel tank		1	50,56
29	20180100039	Bolt	M10*16	1	50,25
30	20180100019	Bolt	M8*20	1	50,25

7发动机安装-CVT进排气

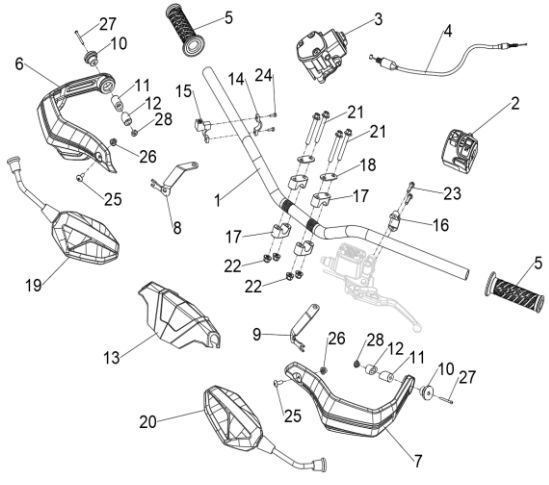


序号	物料代码	英文名称	型号	单车用量	
Item No.	Material Code	English Name	Specification	Quantity	
1	06J01000000	Engine Assembly	C26770100000	1	52 328,67
2	06J01700000	Throttle Body		1	5176,06
3	06J01400000	Cable Support		1	50,87
4	06R01200000	Upper Engine Bracket		1	50,56
5	06R01300000	Front Engine Bracket		1	50,37
6	06R01000000	Rear Engine Bracket L		1	50,37
7	06R00900000	Rear Engine Bracket R		1	50,41
8	06D01000000	Front Bushing Shaft Kit	61101W610000	1	55,39
9	06D01100000	Washer	61108W610000	1	50,25
10	20180100145	Bolt	M12*25小法兰	2	50,25
11	06D01700000	flange		1	53,90
12	06D03000000	Washer		1	50,25
13	06J00900000	Duct Out-1		1	55,20
14	06J01000000	Duct Out-2		1	510,40
15	06J01100000	Duct Out-2		1	55,57
16	20180100007	Bolt	M6*16	5	50,25
17	20180400010	Reed Nut	M6	4	50,25
18	06J01700000-2	Throttle body Adaptor		1	52,79
19	20181400034	Clamp	德式卡箍	2	50,50
20	06J01200000	CVT Air Outlet Adaptor		1	53,71
21	20181400033	Clamp	德式卡箍	2	50,50
22	06J00800000	Flexible Adaptor		1	52,23
23	20181400035	Clamp	德式卡箍70-90	2	50,50



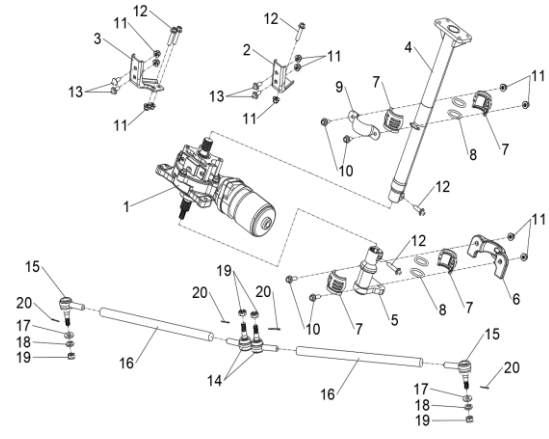
24	0601500000	CVT Air Inlet		1	52,79	2,79
25	2018140008	Clamp	德式卡箍60-80	4	50,50	2
26	0600300000	CVT Air Inlet		1	53,71	3,71
27	0600500000	Tube		1	51,11	1,11
28	0600400000	CVT Air Inlet		1	53,71	3,71
29	0600600000	CVT Filter mounting		1	52,79	2,79
30	0600700000	CVT Filter	10104W610000	1	51,11	1,11
31	2018010008	Bolt	M6*20	2	50,25	0,5
32	06R01100000	Rubber Isolator		1	50,69	0,69
33	2018040014	Nut	M8	2	50,25	0,5
34	2018010007	Bolt	M10*125	2	50,50	1
35	2018040019	Nut	M10	3	50,25	0,75
36	20180100083	Bolt	M10*16平头内六角	2	50,25	0,5

8车把-油门



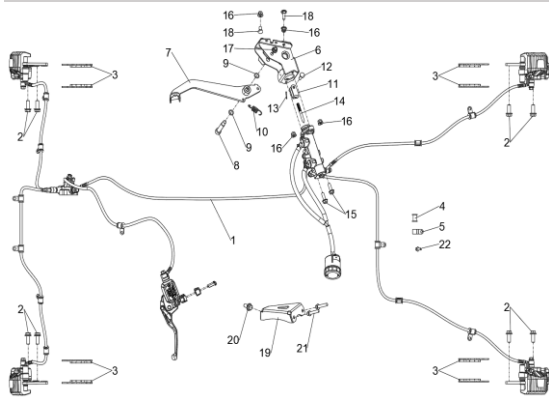
序号 Item No.	物料代码 Material Code	英文名称 English Name	型号 Specification	单车用量 Quantity	销售单价 Unit Price	
1	06C00100000	Handle Bar		1	54,83	4,83
2	06N01200002	Handle Bar switch		1	513,00	13
3	06E01200000	Hand Lever Accelerator		1	514,86	14,86
4	06E01300000	Throttle cable		1	51,86	1,86
5	06C00400000	Handle Grip		2	50,93	1,86
6	06C02100000	Handguards R		1	53,34	3,34
7	06C02300000	Handguard L		1	53,34	3,34
8	06C02400000	Handguard Mounting Bracket R		1	50,37	0,37
9	06C02300000	Handguard Mounting Bracket L		1	50,37	0,37
10	06C0500100	Handlebar End Cap		2	50,74	1,48
11	06C00500200	Handlebar End Cap Rubber Block-1		2	50,25	0,5
12	06C00500300	Handlebar End Cap Rubber Block-2		2	50,25	0,5
13	06C01400000	Handlebar Cover		1	51,58	1,58
14	06C02600000-1	Side Mirror-1		1	50,56	0,56
15	06C02600000-2	Side Mirror-2		1	50,19	0,19
16	06M00100000-1	Hand brake clamp		1	50,56	0,56
17	06C00600000	Handlebar Clamp		4	50,56	2,24
18	06C00700000	Handlebar Clamp Plate		2	50,25	0,5
19	06C02200100	Rear Mirror Right		1	52,79	2,79
20	06C02200200	Rear Mirror Left		1	52,79	2,79
21	20180100028	Bolt	M8*60	2	50,50	1
22	2018040014	Nut	M8	4	50,25	1
23	06M00100000-5	Bolt		2	50,25	0,5
24	06C02600000-3	Bolt		2	50,25	0,5
25	20180100008	Bolt	M6*20	2	50,25	0,5
26	20180400006	Nut	M6	2	50,25	0,5
27	20180100014	Bolt	M6*75	2	50,25	0,5
28	20180400008	Nut	M6	2	50,25	0,5

9转向



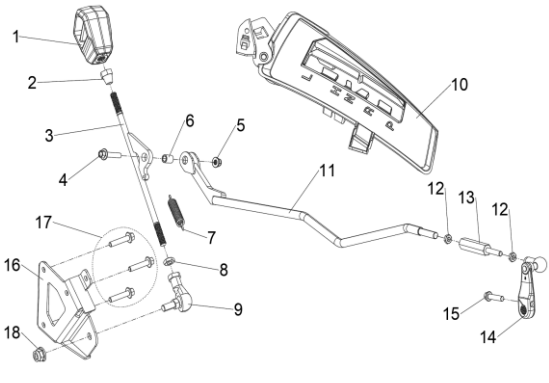
序号 Item No.	物料代码 Material Code	英文名称 English Name	型号 Specification	单车用量 Quantity		
1	06C01500000	EPS Motor		1	5172,71	172,71
2	06C01700001	EPS Motor Support L	QJ-003	1	50,45	0,45
3	06C01800001	EPS Motor Support R		1	50,45	0,45
4	06C02000000	Upper Steering Axle		1	59,66	9,66
5	06C00300000	Pitman Arm		1	56,96	6,96
6	06C01200000	Column Attachment		1	53,16	3,16
7	06C00900000	Spherical Half Bushing		4	50,74	2,96
8	20181300001	O-ring	ø37x3.5	4	50,25	1
9	06C01100000	Upper Column Attachment		1	50,56	0,56
10	20180100019	Bolt	M8*20	4	50,25	1
11	2018040014	Nut	M8	4	50,25	1
12	20180100022	Bolt	M8*30	5	50,25	1,25
13	20180100020	Bolt	M8*25	4	50,25	1
14	06C01300000-1	Tie Rod End L		2	52,79	5,58
15	06C01300000-2	Tie Rod End R		2	52,79	5,58
16	06C01300000-3	Rack&pinion Tie-Rod bar		2	55,57	11,14
17	20180600021	Spacer	M12平垫	2	50,25	0,5
18	20180600010	Spacer	M12弹垫	2	50,25	0,5
19	20180400027	Castle Nut	M12开槽螺母	2	50,50	1
20	20180800001	Cotter Pin	ø2.5	2	50,25	0,5

10制动



序号 Item No.	物料代码 Material Code	英文名称 English Name	型号 Specification	单车用量 Quantity		
1	06M00100000	Hydraulic Brake Assembly		1	5108,64	108,64
2	20180100042	Bolt	M10*25	8	50,25	2
3	20210105	Brake Shoe		8	51,30	10,4
4	06M00102200	Hydraulic Hose Rubber Clamp		12	50,25	3
5	06M00102100	Brake Hose Clamp		12	50,25	3
6	06M00300000	Bracket Brake Pedal		1	52,01	2,01
7	06M00400000	Brake Pedal		1	52,08	2,08
8	06M00700000	Brake Pedal Bolt	M8x50-ø14x27	1	50,65	0,65
9	06M00800000	O-ring	ø19x2.4	2	50,25	0,5
10	06M00500000	Spring Brake Pedal		1	51,02	1,02
11	06M00100000-2	Pushrod Bracket		1	50,50	0,5
12	06M00100000-3	Pushrod Bracket Pin		1	50,25	0,25
13	20180800001	Cotter Pin		1	50,25	0,25
14	06M00100000-4	Master Cylinder Pushrod		1	50,50	0,5
15	20180100022	Bolt	M8*30	2	50,25	0,5
16	2018040014	Nut	M8	4	50,25	1
17	20180400019	Nut	M10	1	50,25	0,25
18	20180100096	Bolt	马车螺栓M8*20	2	50,25	0,5
19	06M01100000	Master Cylinder support		1	59,30	9,3
20	20180100039	Bolt	M10*16	1	50,25	0,25
21	20180100018	Bolt	M8*16	2	50,25	0,5
22	20180100007	Bolt	M6*16	10	50,25	2,5

11变档

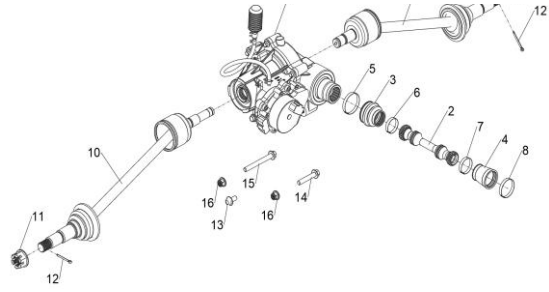


序号 Item No.	物料代码 Material Code	英文名称 English Name	型号 Specification	单车用量 Quantity		
1	06L01100000-1	Gear Shift Knob	SQ8-RS	1	51,11	1,11
2	06L01100000-2	Nut	M8六角螺母	1	50,25	0,25
3	06L01100000-3	Gear Shift Lever		1	51,86	1,86
4	20180100010	Bolt	M6*30	1	50,25	0,25
5	20180400006	Nut	M6	1	50,25	0,25
6	06L01100000-4	Iron Bushing	ø6.5-10x12	1	50,25	0,25
7	06L00900000	Shifter Return Spring		1	50,65	0,65
8	06L01100000-5	Nut	M8薄螺母	1	50,25	0,25
9	06L01100000-6	Spherical Bearing	M8	1	50,93	0,93
10	06L00700000	Shift Plate		1	52,30	2,3
11	06L00400000	Gear Shift Rod		1	53,44	3,44
12	06L01100000-7	Nut	M6薄螺母	2	50,25	0,5
13	06L01100000-8	Gear Shift Rod Adjusting Screw		1	50,50	0,5
14	06L01100000-9	Shifter Arm Lower	40100W610000	1	53,16	3,16
15	20180100009	Bolt	M6*25	1	50,25	0,25
16	06L00200000	Lever Support		1	50,84	0,84
17	20180100007	Bolt	M6*16	1	50,25	0,25
18	20180400019	Nut	M10	1	50,25	0,25

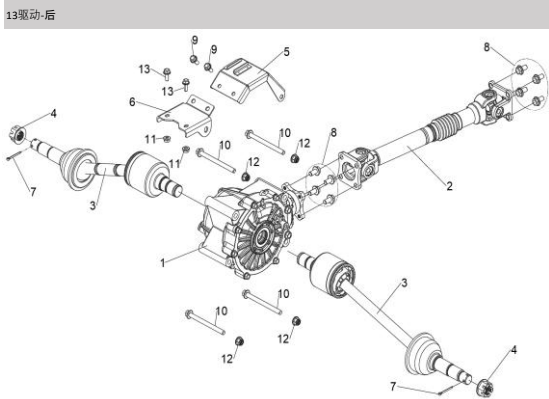
12驱动-前



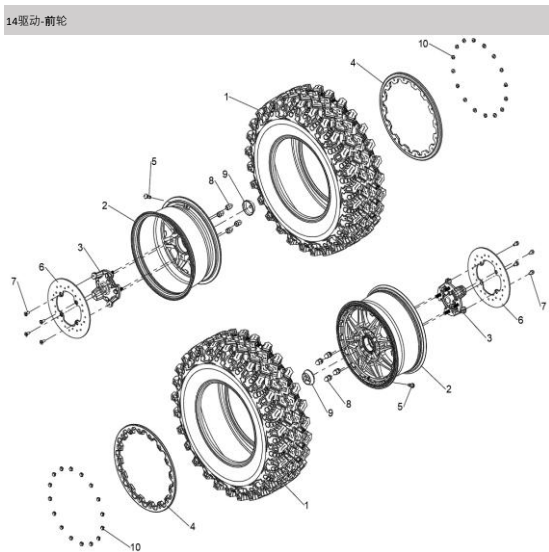
序号 Item No.	物料代码 Material Code	英文名称 English Name	型号 Specification	单车用量 Quantity		
1	06D001500000	Front Differential	H2L-C	1	5163,43	163,43
2	06D007000000	Front Drive Shaft		1	55,52	5,52
3	06D005000000	Rubber Boot	61103W610000	1	50,65	0,65
4	06D008000000	Rubber Boot	61102W610000	1	50,80	0,8



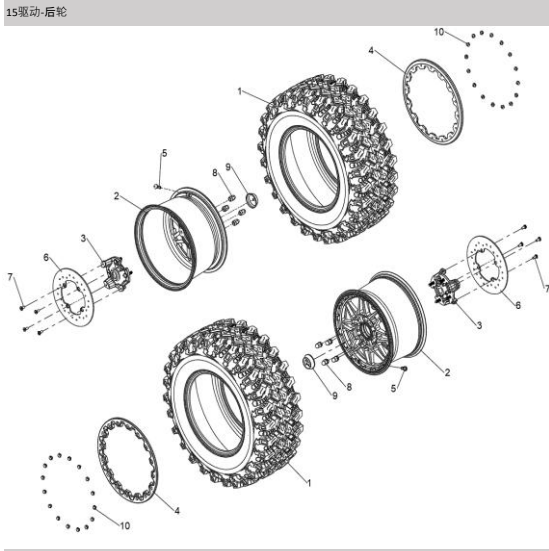
5	20181400021	Clamp	420无耳无极卡箍	1	50,25	0,25
6	20181400032	Clamp	355无耳无极卡箍	1	50,25	0,25
7	20181400030	Clamp	335无耳无极卡箍	1	50,25	0,25
8	20181400030	Clamp	470无耳无极卡箍	1	50,25	0,25
9	06000200000	CV Shaft Front R		1	532,50	32,5
10	06000100000	CV Shaft Front L		1	532,50	32,5
11	20180400053	Castle Nut	M24*1.5	2	50,50	1
12	20180800008	Cotter Pin	ø4	2	50,25	0,5
13	20180100042	Bolt	M10*25	1	50,25	0,25
14	20180100046	Bolt	M10*55	1	50,50	0,5
15	20180100052	Bolt	M10*90	1	50,50	0,5
16	20180400019	Nut	M10	2	50,25	0,5
17						
18						
19						
20						
21						
22						
23						



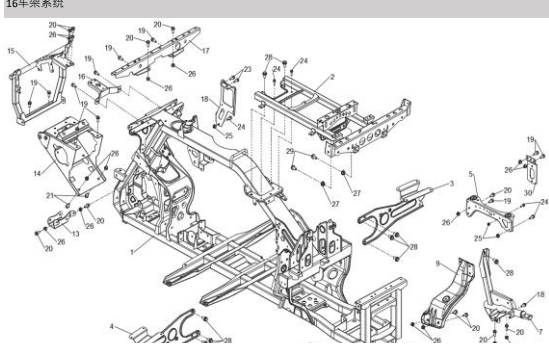
序号 Item No.	物料代码 Material Code	英文名称 English Name	型号 Specification	单车用量 Quantity		
1	06001800000	Rear Differential	Q850-330000-20002	1	5133,71	133,71
2	06001600000	Rear Drive Shaft		1	530,27	30,27
3	06000300000	CV Shaft Rear		2	537,14	74,28
4	20180400053	Castle Nut	M24*1.5	2	50,50	1
5	06002900000	Fuel Tank Rear Lower Support Plate		1	51,39	1,39
6	06001900000	Rear Axle Mounting Plate		1	50,93	0,93
7	20180800008	Cotter Pin	ø4	2	50,25	0,5
8	20180100040	Bolt	M10*20小法兰	8	50,25	2
9	20180100018	Bolt	M8*16	2	50,25	0,5
10	20180100056	Bolt	M10*120	4	50,50	2
11	20180400014	Nut	M8	2	50,25	0,5
12	20180400019	Nut	M10	4	50,25	1
13	20180100019	Bolt	M8*20	2	50,25	0,5
14						
15						
16						
17						
18						
19						
20						
21						
22						
23						
24						
25						



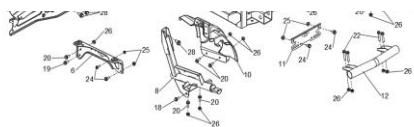
序号 Item No.	物料代码 Material Code	英文名称 English Name	型号 Specification	单车用量 Quantity		
1	06001900000	Front Tire 28*9-14		2	550,51	101,02
2	06002100000	Front Tire 14*7.5		2	548,29	96,58
3	06001400000	Front Hub		2	510,40	20,8
4	060024C0100	Bead Lock Ring (Yellow)				
	060024C0200	Bead Lock Ring (Blue)				
	060024C0300	Bead Lock Ring (Red)		2	523,21	46,42
	060024C0400	Bead Lock Ring (Orange)				
5	06002300000	Air Valve		2	50,25	0,5
6	06M00200000	Disc Brake Guard	ø260	2	56,69	13,38
7	20180100122	Bolt		4	50,25	1
8	20180400029	Wheel Nut		4	50,50	2
9	06001900000-1	Wheel cap		2	50,50	1
10	20180100021	Bolt	M8*25	32	50,25	8
11						
12						
13						
14						
15						
16						
17						
18						
19						
20						
21						
22						
23						
24						
25						
26						
27						
28						
29						
30						
31						



序号 Item No.	物料代码 Material Code	英文名称 English Name	型号 Specification	单车用量 Quantity		
1	06002000000	Rear Tire 28*11-14		2	556,46	112,92
2	06002200000	Rear Wheel 14*9		2	551,07	102,14
3	06001400000	Front Hub		2	510,40	20,8
4	060024C0100	Bead Lock Ring (Yellow)				
	060024C0200	Bead Lock Ring (Blue)				
	060024C0300	Bead Lock Ring (Red)		2	523,21	46,42
	060024C0400	Bead Lock Ring (Orange)				
5	06002300000	Air Valve		2	50,25	0,5
6	06M00200000	Disc Brake Guard	ø260	2	56,69	13,38
7	20180100122	Bolt		4	50,25	1
8	20180400029	Wheel Nut		4	50,50	2
9	06001900000-1	Wheel Cap		2	50,50	1
10	20180100021	Bolt	M8*25	32	50,25	8
11						
12						
13						
14						
15						
16						
17						
18						
19						
20						
21						
22						
23						
24						
25						
26						
27						
28						
29						
30						
31						

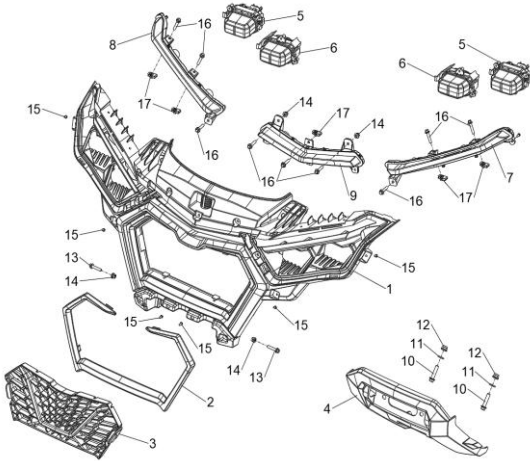


序号 Item No.	物料代码 Material Code	英文名称 English Name	型号 Specification	单车用量 Quantity		
1	06R00100001	Chassis		1	5169,00	169
2	06R00200001	Chassis Extension		1	520,99	20,99
3	06R02000000	Footrest Support L		1	53,49	3,49
4	06R02100000	Footrest Support R		1	53,49	3,49
5	06R00500000	Rear Support L		1	51,45	1,45
6	06R00600000	Rear Support R		1	51,45	1,45
7	06R00300000	Chassis Rear Support R		1	56,35	6,35
8	06R00400000	Chassis Rear Support L		1	56,76	6,76
9	06R01500000	Cargo Support R		1	59,29	9,29
10	06R01600000	Cargo Support L		1	510,21	10,21
11	06R01700000	Plate Support		1	50,48	0,48
12	06R018C0100	Rear Anti-collision Beam (Yellow)				
	06R018C0200	Rear Anti-collision Beam (Blue)				
	06R018C0300	Rear Anti-collision Beam (Red)				
	06R018C0400	Rear Anti-collision Beam (Orange)		1	52,54	2,54
13	06R00800000	Upper Front Holder		1	50,82	0,82
14	06R02800000	Front Bumper Support		1	512,02	12,02
15	06R02500000	Front Hood Support		1	56,96	6,96
16	06R03100000	Front Hood Support Connector		1	50,84	0,84
17	06R00700000	Front Crossbar		1	53,49	3,49
18	06C01600000	EPS Controller Bracket		1	51,02	1,02



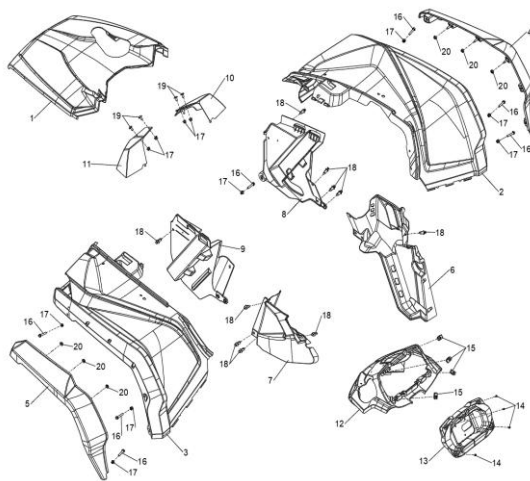
19	20180100018	Bolt	M8*16	10	50,25	2,5
20	20180100019	Bolt	M8*20	16	50,25	4
21	20180100020	Bolt	M8*25	2	50,25	0,5
22	20180100024	Bolt	M8*40	4	50,25	1
23	20180100007	Bolt	M6*16	4	50,25	1
24	20180100008	Bolt	M6*20	9	50,25	2,25
25	20180400006	Nut	M6	7	50,25	1,75
26	20180400014	Nut	M8	16	50,25	4
27	20180400019	Nut	M10	2	50,25	0,5
28	20180100039	Bolt	M10*16	10	50,25	2,5
29	20180100113	Bolt	M10*20	2	50,25	0,5
30	06N02700000	Voltage Stabilizer Bracket		1	50,25	0,25

17车身-前面板



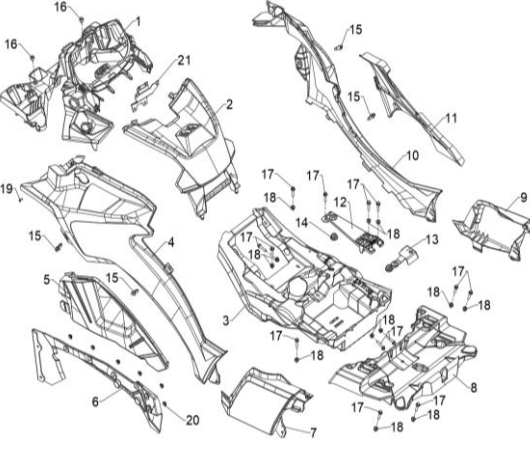
序号 Item No.	物料代码 Material Code	英文名称 English Name	型号 Specification	单车用量 Quantity		
1	06P02700000	Fascia		1	512,65	12,65
2	06P030C0100	Grille Decorative Strips (Black)		1		1,23
	06P030C0200	Grille Decorative Strips (White)				
	06P030C0300	Grille Decorative Strips (Grey)				
	06P030C0400	Grille Decorative Strips (Gold)				
3	06P02900000	Air Inlet Grill		1	52,60	2,6
4	06P02300000	Front Skid Plate		1	53,53	3,53
5	06N00200000	Low Beam Light		2	522,29	44,58
6	06N02800000	High Beam Light		2	522,29	44,58
7	06N00500000	Headlight Cluster L		1	515,79	15,79
8	06N00400000	Headlight Cluster R		1	515,79	15,79
9	06N00600000	Headlight Cluster		1	517,27	17,27
10	20180100023	Bolt	M8*35	2	50,25	0,5
11	20180600025	Spacer	M8	2	50,25	0,5
12	20180400014	Nut	M8	2	50,25	0,5
13	20180100010	Bolt	M6*30	2	50,25	0,5
14	20180400006	Nut	M6	4	50,25	1
15	20180200024	Screw	M4*12	6	50,25	1,5
16	20180100008	Bolt	M6*20	9	50,25	2,25
17	20180400038	Reed Nut	M6	5	50,25	1,25
18						
19						
20						
21						
22						
23						
24						
25						
26						
27						
28						
29						

18车身-前部



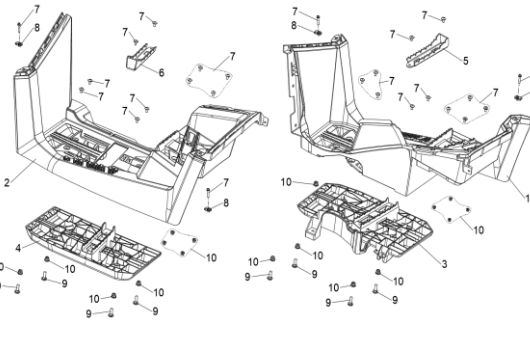
序号 Item No.	物料代码 Material Code	英文名称 English Name	型号 Specification	单车用量 Quantity		
1	06P051C0100	Front Hood (Black)		1	56,52	6,52
	06P051C0200	Front Hood (White)				
	06P051C0300	Front Hood (Grey)				
	06P051C0400	Front Hood (Gold)				
2	06P012C0100	Front Fender R (Black)		1	58,38	8,38
	06P012C0200	Front Fender R (White)				
	06P012C0300	Front Fender R (Grey)				
	06P012C0400	Front Fender R (Gold)				
3	06P013C0100	Front Fender L (Black)		1	58,38	8,38
	06P013C0200	Front Fender L (White)				
	06P013C0300	Front Fender L (Grey)				
	06P013C0400	Front Fender L (Gold)				
4	06P02500000	RH Mud Guard		1	51,69	1,69
5	06P02600000	LH Mud Guard		1	51,69	1,69
6	06P00800000	RH Wheel Arch Protector		1	52,43	2,43
7	06P00900000	LH Wheel Arch Protector		1	52,43	2,43
8	06P01000000	RH Front Wheel Arch Protector		1	52,82	2,82
9	06P01100000	LH Front Wheel Arch Protector		1	52,82	2,82
10	06P05900000	LH Air Deflector		1	50,89	0,89
11	06P06000000	RH Air Deflector		1	50,89	0,89
12	06P00400000	Instrument Cluster		1	53,03	3,03
13	06P04200000	Instrument Cluster Mounting Panel		1	51,52	1,52
14	20180200024	Screw	M4*12	4	50,25	1
15	20180400010	Reed Nut	M6	4	50,25	1
16	20180100010	Bolt	M6*30	7	50,25	1,75
17	20180400006	Nut	M6	11	50,25	2,75
18	20180500002	Tuflok Plastic Rivet		10	50,25	2,5
19	20180100087	Phillips Head Screw	M6*16	4	50,25	1
20	20180400043	Self Thread Nut		6	50,25	1,5
21						
22						
23						
24						

19车身-中部



序号 Item No.	物料代码 Material Code	英文名称 English Name	型号 Specification	单车用量 Quantity		
1	06P04400000	Console Support		1	54,72	4,72
2	06P04600000	Cap Kit		1	52,90	2,9
3	06P03700000	Battery Support		1	59,56	9,56
4	06P020C0100	Central Panel L (Black)		1	54,36	4,36
	06P020C0200	Central Panel L (White)				
	06P020C0300	Central Panel L (Grey)				
	06P020C0400	Central Panel L (Gold)				
5	06P00500000	Deflector Body Panel Kit L		1	51,65	1,65
6	06P00700000	Deflector Body Rubber Panel		1	58,54	8,54
7	06P03900000	Extension Panel L		1	51,97	1,97
8	06P03600000	Seat Holder		1	511,94	11,94
9	06P03800000	Extension Panel R		1	51,97	1,97
10	06P019C0100	Central Panel R (Black)		1	54,36	4,36
	06P019C0200	Central Panel R (White)				
	06P019C0300	Central Panel R (Grey)				
	06P019C0400	Central Panel R (Gold)				
11	06P00500000	Deflector Body Panel Kit R		1	51,65	1,65
12	06P01400000	Battery Fixation Plate		1	50,85	0,85
13	06P01500000	Cap Battery Cable		1	50,30	0,3
14	06P01600000	Stopper Rubber		1	51,21	1,21
15	20180500002	Tuflok Plastic Rivet		4	50,25	1
16	06P05400000	Rubber Bush		2	50,25	0,5
17	20180100010	Bolt	M6*30	11	50,25	2,75
18	20180400006	Nut	M6	11	50,25	2,75
19	20180200024	Screw	M4*12	1	50,25	0,25
20	20180400043	Self Thread Nut		6	50,25	1,5
21	06N03400000	ECU Bracket		1	50,25	0,25
22						
23						
24						

20车身-踏板

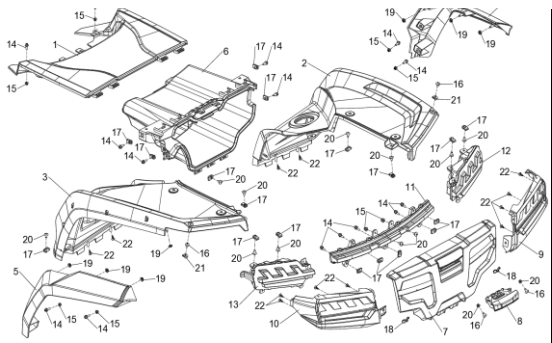


序号 Item No.	物料代码 Material Code	英文名称 English Name	型号 Specification	单车用量 Quantity		
1	06P03400000	Footboard L		1	513,67	13,67
2	06P03500000	Footboard R		1	513,67	13,67
3	06P01700000	Structural Footboard R		1	57,17	7,17
4	06P01800000	Structural Footboard L		1	57,17	7,17
5	06P06400000	Footrest L		1	51,30	1,3
6	06P06500000	Footrest R		1	51,30	1,3
7	20180100008	Phillips Head Screw	M6*20	25	50,25	6,25
8	20180400010	Reed Nut	M6	4	50,25	1
9	20180100095	Carriage Bolt	M6*30	8	50,25	2
10	20180400006	Nut	M6	16	50,25	4
11						
12						
13						
14						
15						
16						
17						
18						
19						
20						
21						
22						
23						

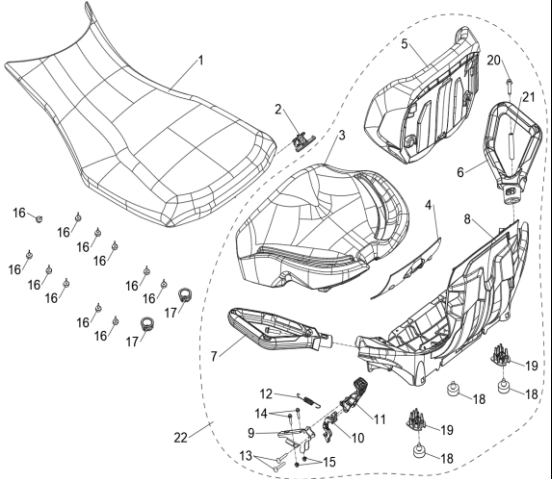
21车身-后部



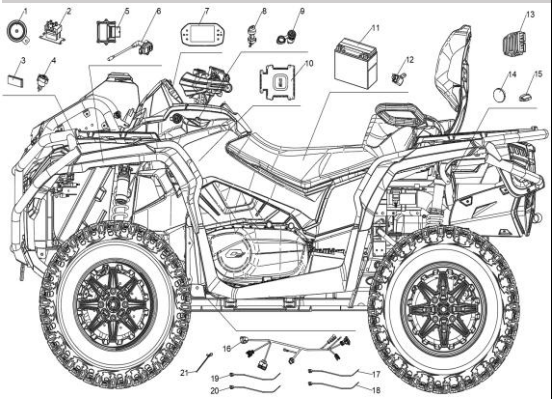
序号 Item No.	物料代码 Material Code	英文名称 English Name	型号 Specification	单车用量 Quantity		
1	06P04000000	Rear Storage Box Cover		1	53,77	3,77



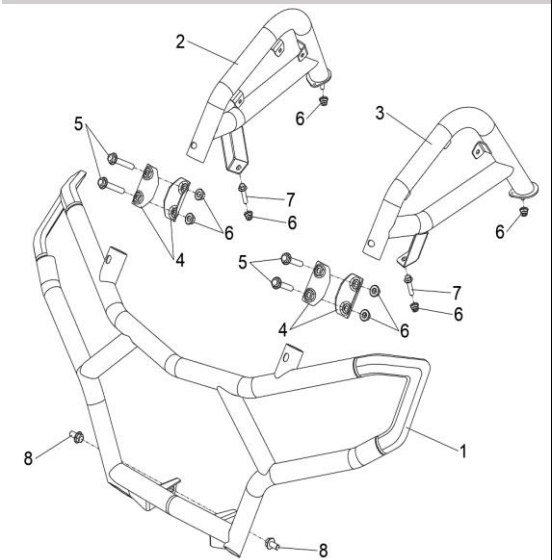
22车身-座椅



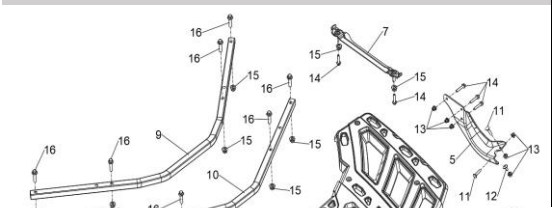
23线束-电器件



24前保险杠-散热支架



25后保险杠-后货架



序号 Item No.	物料代码 Material Code	英文名称 English Name	型号 Specification	单车用量 Quantity	销售单价 Unit Price
2	06P031C0100	Rear Fender R (Black)		1	57,52
	06P031C0200	Rear Fender R (White)			
	06P031C0300	Rear Fender R (Grey)			
	06P031C0400	Rear Fender R (Gold)			
3	06P032C0100	Rear Fender L (Black)		1	57,52
	06P032C0200	Rear Fender L (White)			
	06P032C0300	Rear Fender L (Grey)			
	06P032C0400	Rear Fender L (Gold)			
4	06P02300000	Rear mud guard R		1	51,80
5	06P02400000	Rear mud guard L		1	51,80
6	06P04100000	Rear Storage Box		1	511,46
7	06P04500000	Storage Cover		1	53,77
8	06P04200001	Storage Handle		1	50,97
9	06P02100000	Taillight Mounting Panel R		1	52,32
10	06P02200000	Taillight Mounting Panel L		1	52,32
11	06N00900000	Taillight		1	526,37
12	06N00700000	Taillight R		1	533,43
13	06N00800000	Taillight L		1	533,43
14	20180100087	Bolt	M6*16	15	50,25
15	20180400006	Nut	M6	6	50,25
16	20180100088	Bolt	M6*12	4	50,25
17	20180400038	Reed Nut	M6	18	50,25
18	20190100112	Zip Ties		2	50,25
19	06Q00100000	Seat Assembly		1	537,14
20	06Q00600000	Seat Latch Assembly		1	50,84
21	06Q00300100	Rear Seat Cushion		1	537,14
22	06Q00300200	Back Plastic Cap		1	53,71
23	06Q00300600	Rear Seat Backrest		1	537,14
24	06Q00300700	Handle L		1	518,57
25	06Q00300800	Handle R		1	518,57
26	06Q00300200	Rear Seat Frame		1	542,71
27	06Q00300400	Rear Seat Latch Bracket		1	51,30
28	06Q00300300	Rear Seat Latch Hook		1	51,86
29	06Q00300900	Latch Handle		1	51,86
30	06Q00300500	Spring		1	50,56
31	20180800009	Hollow Rivet		2	50,25
32	20180100003	Bolt	M5*20	2	50,25
33	20180400005	Nut	M5	2	50,25
34	06Q00100300	Rubber Stopper		1	50,25
35	06Q00200000	Seat Location Bush		2	50,30
36	06Q00301000	Rubber Stopper		3	50,56
37	06Q00301100	Seat Support		2	50,74
38	20180100031	Bolt	M8*85	2	50,25
39	06Q00301200	Rear Seat Assembly		1	5168,00
40	06Q00300000	Rear Seat Assembly		1	5168,00
41					
42					
43					
44					
45					
46					
47					
48					
49					
50					
51					
52					
53					
54					
55					
56					
57					
58					
59					
60					
61					
62					
63					
64					
65					
66					
67					
68					
69					
70					
71					
72					
73					
74					
75					
76					
77					
78					
79					
80					
81					
82					
83					
84					
85					
86					
87					
88					
89					
90					
91					
92					
93					
94					
95					
96					
97					
98					
99					
100					
101					
102					
103					
104					
105					
106					
107					
108					
109					
110					
111					
112					
113					
114					
115					
116					
117					
118					
119					
120					
121					
122					
123					
124					
125					
126					
127					
128					
129					
130					
131					
132					
133					
134					
135					
136					
137					
138					
139					
140					
141					
142					
143					
144					
145					
146					
147					
148					
149					
150					
151					
152					
153					
154					
155					
156					
157					
158					
159					
160					
161					
162					
163					
164					
165					
166					
167					
168					
169					
170					
171					
172					
173					
174					
175					
176					
177					
178					
179					
180					
181					
182					
183					
184					
185					
186					
187					
188					
189					
190					
191					
192					
193					
194					
195					
196					
197					
198					
199					
200					
201					
202					
203					
204					
205					
206					
207					
208					
209					
210					
211					
212					
213					
214					
215					
216					
217					
218					
219					
220					
221					
222					
223					
224					
225					
226					
227					
228					
229					
230					
231					
232					
233					
234					
235					
236					
237					
238					
239					
240					
241					
242					
243					
244					
245					
246					
247					
248					
249					
250					
251					
252					
253					
254					
255					
256					
257					
258					
259					

